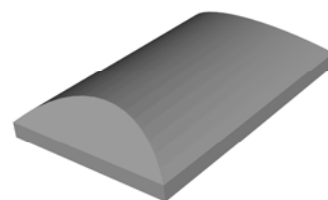
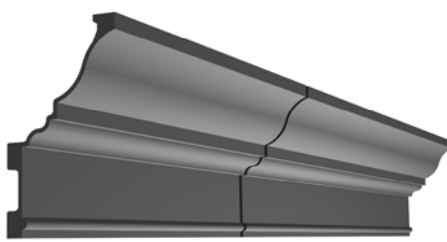
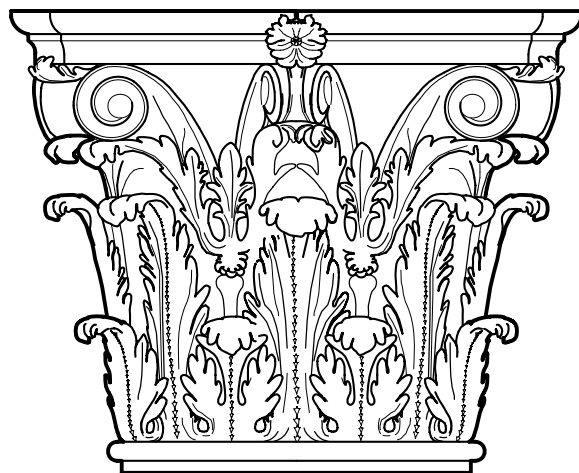
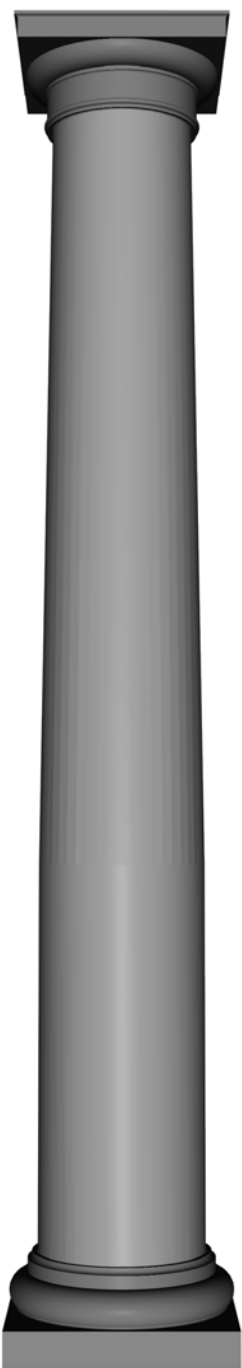


Decoform

The Book of Molded, Architectural Products
GRG, GRC, FRP



sales@decoform.com

www.decoform.com

DecoForm Inc.

General Information

The parts represented in this catalog reflect only some of the tooling maintained by DecoForm to offer competitive prices and faster delivery.

A unique part number identifies each item. This number should be used when requesting more details than provided in this catalog. This information is available by phone, fax or email.

Only tooling is kept in stock (not parts). DecoForm manufactures parts only after receiving a purchase order. Confirming your delivery requirement as early as possible is therefore important.

DecoForm can create virtually any shape or size. If this catalog does not offer profiles to meet your needs, give us the details and we will be pleased to submit a quotation.

DecoForm manufactures a wide range of molded, architectural components made of materials including GRG, GRC and FRP. We also offer the pre-finished product SandScape™ for exterior or interior applications. Specifications for all our products are available from DecoForm web site and DecoForm representatives or by contacting DecoForm directly.

Decoform

DecoForm Inc.
49 Sheffield Street
Toronto, ON Canada
M6M 3E5

Toll-free Phone: 1 (877) DECOFORM
Phone: (416) 745 - 4970
Fax: (416) 745 - 6636

www.decoform.com

Email: sales@decoform.com

DecoForm Inc.

Index

SECTION 1

1-A.1 & 1-A.2
1-B.1 TO 1-B.4
1-C
1-D
1-E
1-F.1 & 1-F.2

SECTION 2

2-A
2-B.1 TO 2-B.7
2-C.1 TO 2-C.4

SECTION 3

3-A
3-B

SECTION 4

4-A
4-B.1 TO 4-B.3

SECTION 5

5-A TO 5-A.2
5-B.1 & 5-B.2

SECTION 6

6-A & 6-A.1
6-B

SECTION 7

7-A
7-B

APPENDIX A

.....

COLUMN COVERS

Classical Column Proportions
Typical Installation
Plain Column Covers
Tapered Column Covers
Octagonal Column Covers
Fluted Column Covers

CAPITALS AND BASES

Assembly Options
Capitals & Bases
Corinthian, Temple of the Winds, Scamozzi and Ionic Capitals

COVES (REFLECTORS)

Typical Installation
GRG Coves

LIGHT COVES

Typical Installation
Light Coves

MOLDINGS

Typical Installation
Moldings

DOMES

Domes and Trim Options
Domes

DIFFUSERS

Pyramid Diffusers
Dome Diffusers

A Guide to Material Selection

Classical Column Proportions

In addition to other styles, DecoForm supplies Column Covers which conform to five ornamental styles: **Tuscan, Doric, Ionic, Scamozzi** and **Corinthian**.

Within each order, the dimensions of the capital, column height and base, are proportional to shaft diameter at the base.

Classical authorities cite nominal variations in classical proportions. The following chart can be used for guidance purposes only to establish overall column heights at varying column diameters.

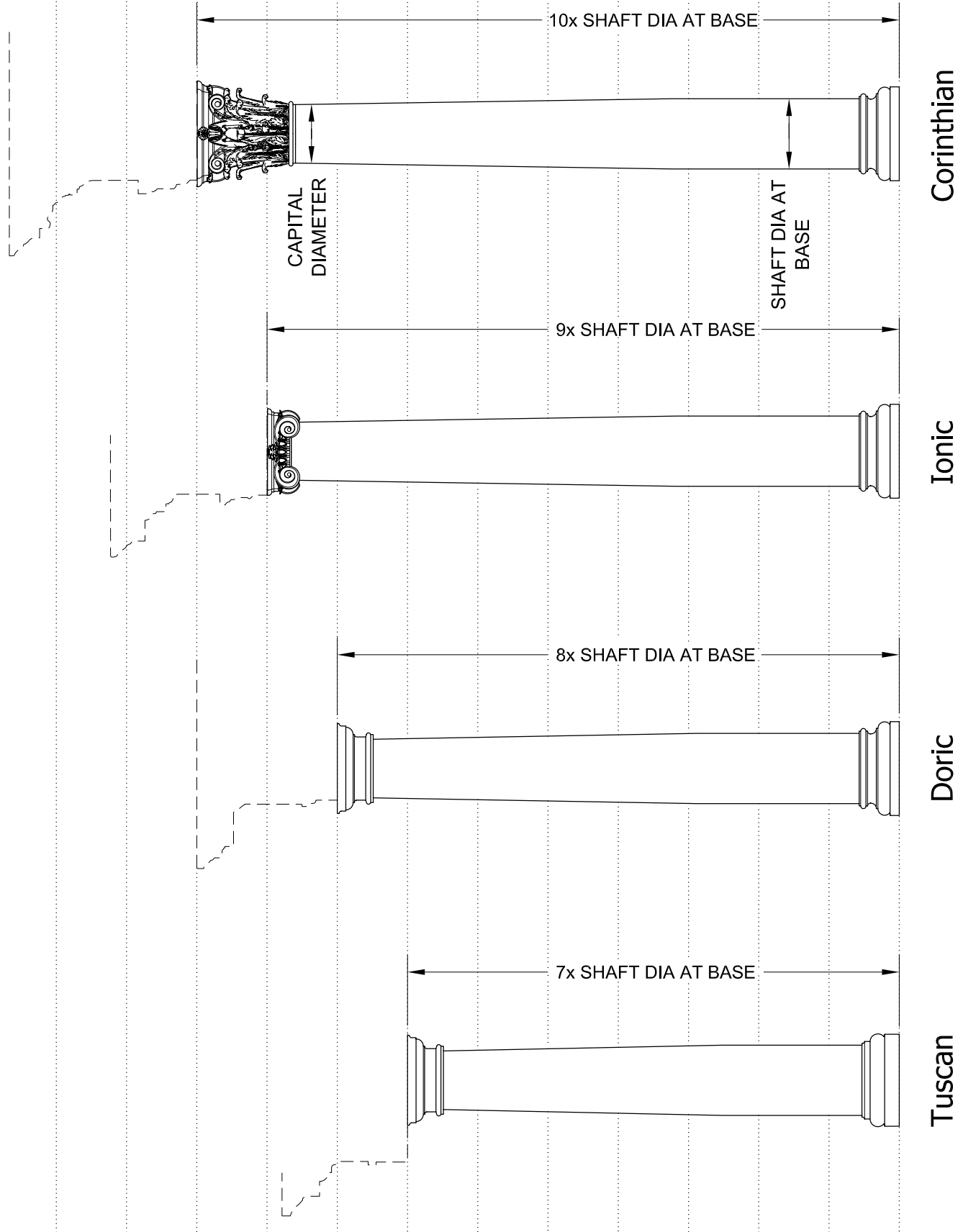
COLUMN BASE DIAMETER	CAPITAL DIAMETER	OVERALL COLUMN HEIGHT (FT.)			
		TUSCAN	DORIC	IONIC	CORINTHIAN
INCHES	INCHES (NOM.)				
12	10	7	8	9	10
14	12	8.17	9.34	10.5	11.66
16	14	9.33	10.66	12	13.34
18	15	10.5	12	13.5	15
20	17	11.67	13.34	15	16.67
22	19	12.83	14.66	16.5	18.32
24	21	14	16	18	20

Phone: (416)745-4970
Fax: (416)745-6636

www.decoform.com
1 (877) DECOFORM

Decoform

**Classical Column
Proportions**

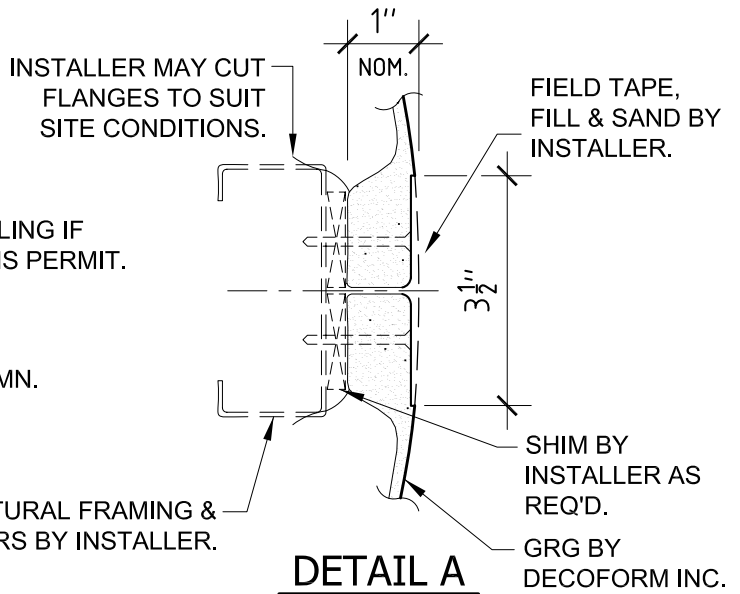
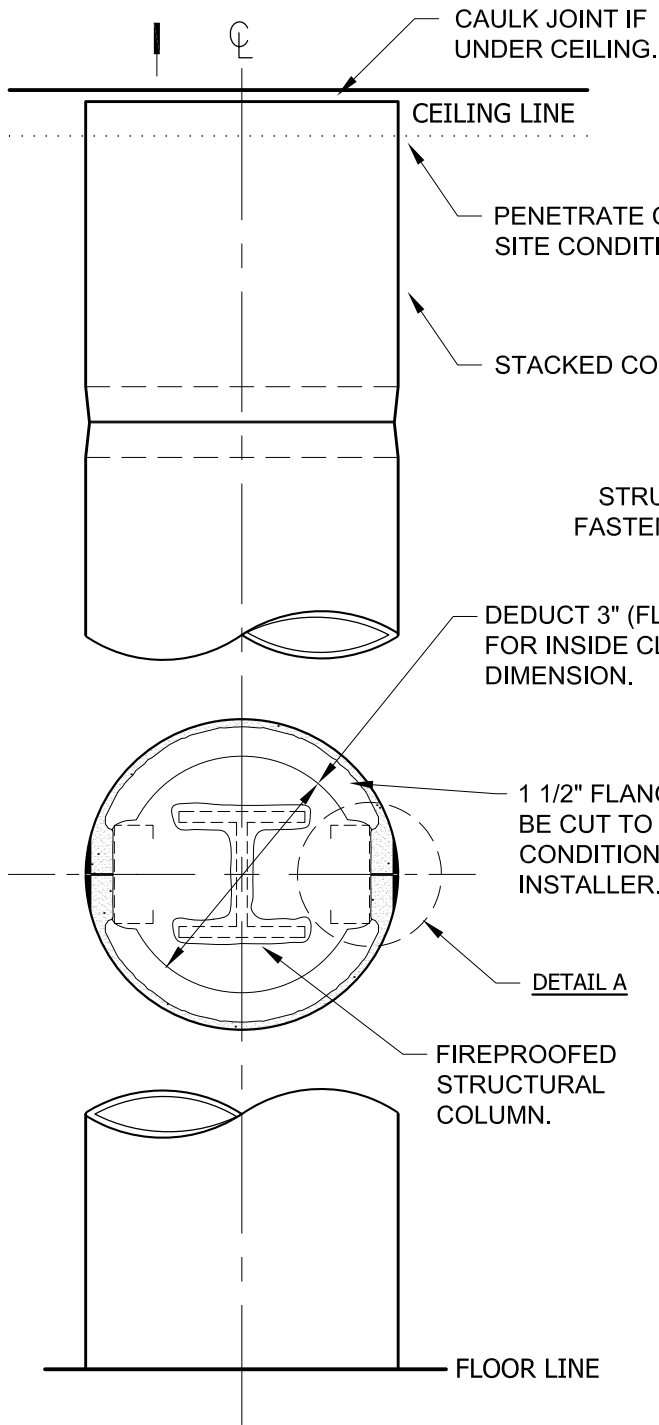


Phone: (416)745-4970
 Fax: (416)745-6636

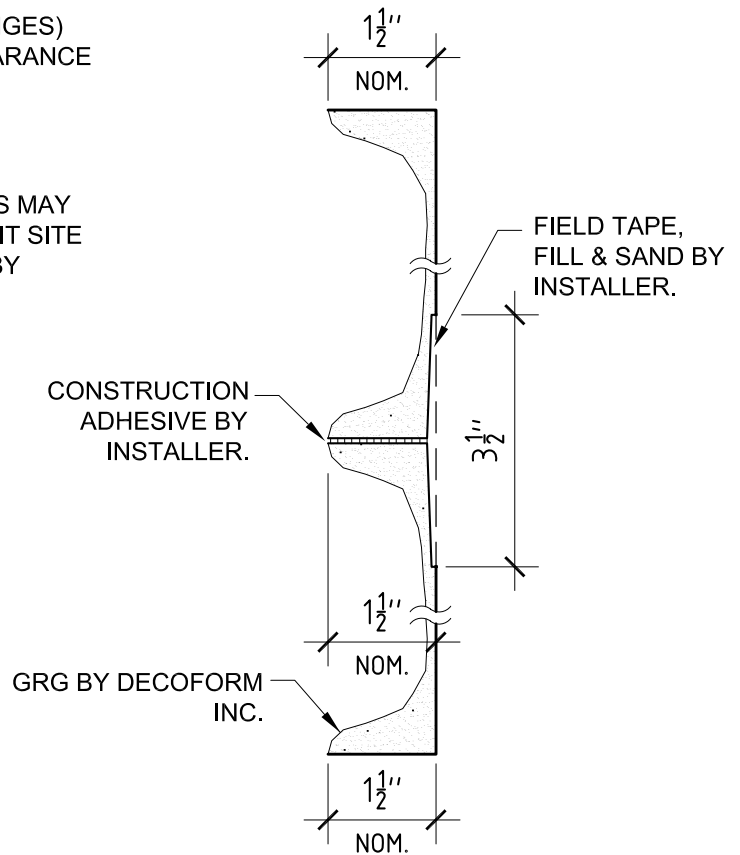
www.decoform.com
 1 (877) DECOFORM



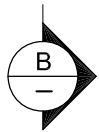
Classical Column Proportions



DETAIL A



DETAIL B



DETAIL B

NOTES:

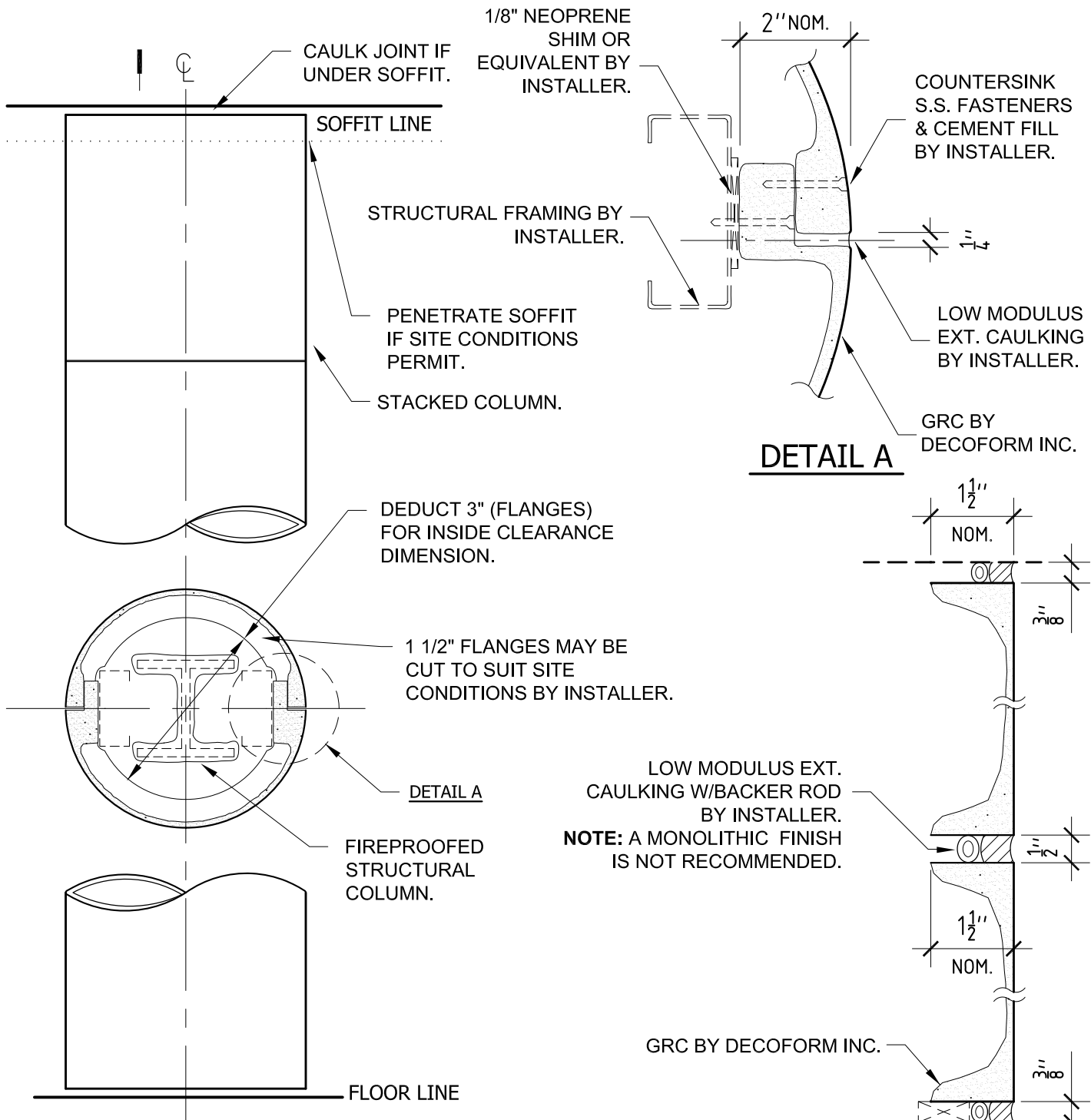
- (1) GRG IS FOR INTERIOR USE ONLY.
- (2) FASTENING METHODS SHOWN ARE TYPICAL ONLY, LOCAL CODE REQUIREMENTS AND JOB CONDITIONS MUST BE VERIFIED.
- (3) INSTALLATION HARDWARE INCLUDING BRACES, STUDS, FASTENERS, SHIMS, TAPE & JOINT COMPOUND TO BE SUPPLIED BY OTHERS.
- (4) FULL MATERIAL SPECIFICATION IS AVAILABLE ON REQUEST.

N.T.S.

Phone: (416)745-4970
 Fax: (416)745-6636
 www.decoform.com
 1 (877) DECOFORM



Typical GRG Installation
 Column Covers



NOTES:

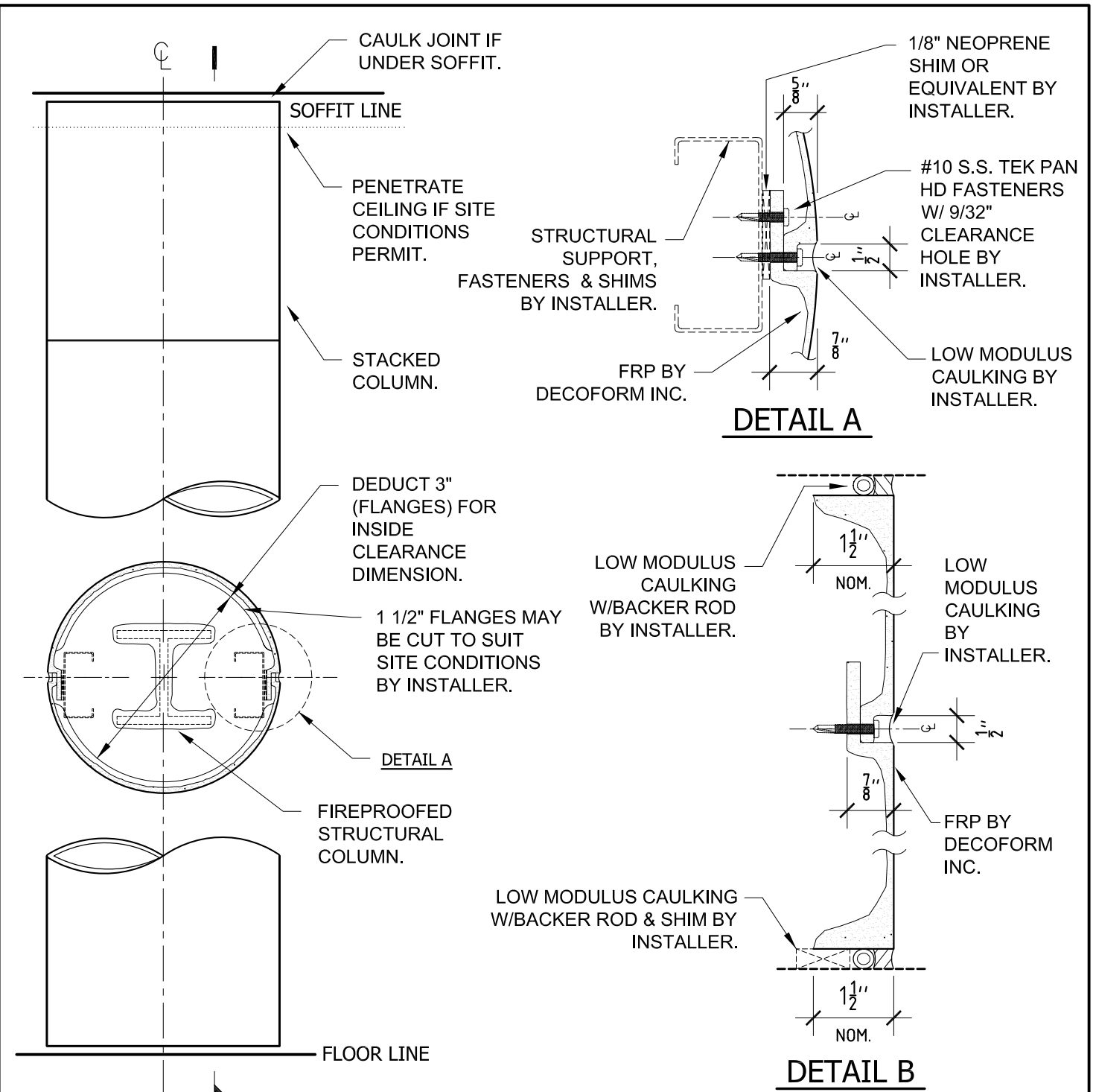
- (1) GRC IS PRIMARILY FOR EXTERIOR USE.
- (2) FASTENING METHODS SHOWN ARE TYPICAL ONLY, LOCAL CODE REQUIREMENTS AND JOB CONDITIONS MUST BE VERIFIED.
- (3) INSTALLATION HARDWARE INCLUDING BRACES, STUDS, FASTENERS & SHIMS TO BE SUPPLIED BY OTHERS.
- (4) FULL MATERIAL SPECIFICATION IS AVAILABLE ON REQUEST.

N.T.S.

Phone: (416)745-4970
 Fax: (416)745-6636
 www.decoform.com
 1 (877) DECOFORM



Typical GRC Installation
 Column Covers



NOTES:

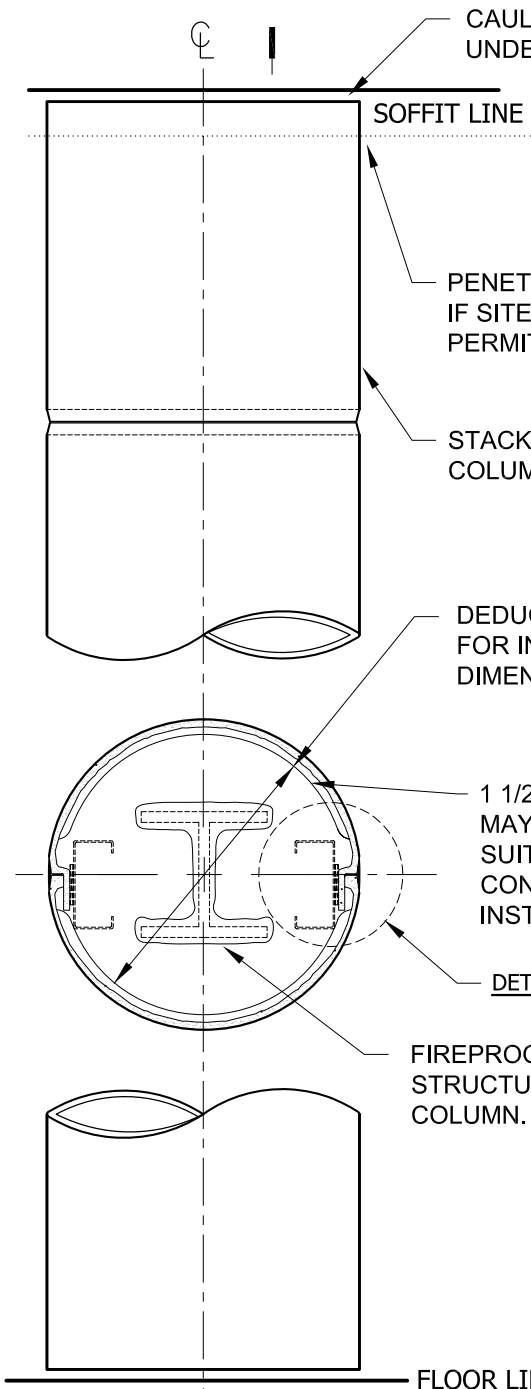
- (1) FRP IS FOR INTERIOR OR EXTERIOR USE.
- (2) FASTENING METHODS SHOWN ARE TYPICAL ONLY, LOCAL CODE REQUIREMENTS AND JOB CONDITIONS MUST BE VERIFIED.
- (3) INSTALLATION HARDWARE INCLUDING BRACES, STUDS, FASTENERS, SHIMS, CAULKING AND BODYFILL TO BE SUPPLIED BY OTHERS.
- (4) FULL MATERIAL SPECIFICATION IS AVAILABLE ON REQUEST.

N.T.S.

Phone: (416)745-4970
 Fax: (416)745-6636
 www.decoform.com
 1 (877) DECOFORM



Typical FRP Installation
 Column Covers with Caulk Joint



CAULK JOINT IF UNDER SOFFIT.

SOFFIT LINE

STRUCTURAL SUPPORT, FASTENERS & SHIMS BY INSTALLER.

PENETRATE CEILING IF SITE CONDITIONS PERMIT.

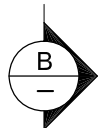
STACKED COLUMN.

DEDUCT 3" (FLANGES) FOR INSIDE CLEARANCE DIMENSION

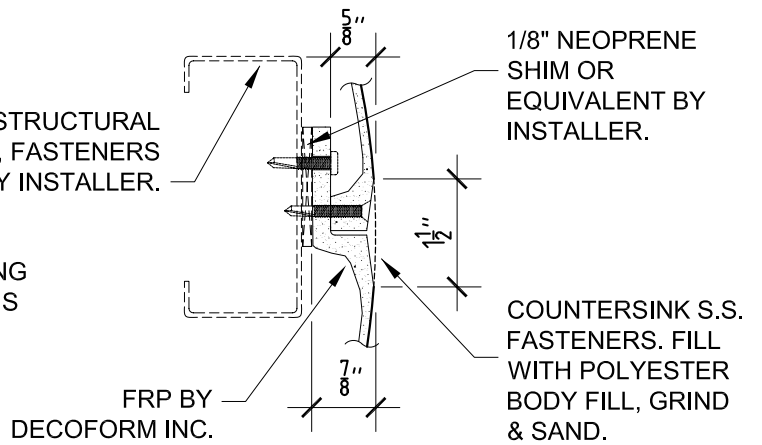
1 1/2" FLANGES MAY BE CUT TO SUIT SITE CONDITIONS BY INSTALLER

DETAIL A
FIREPROOFED STRUCTURAL COLUMN.

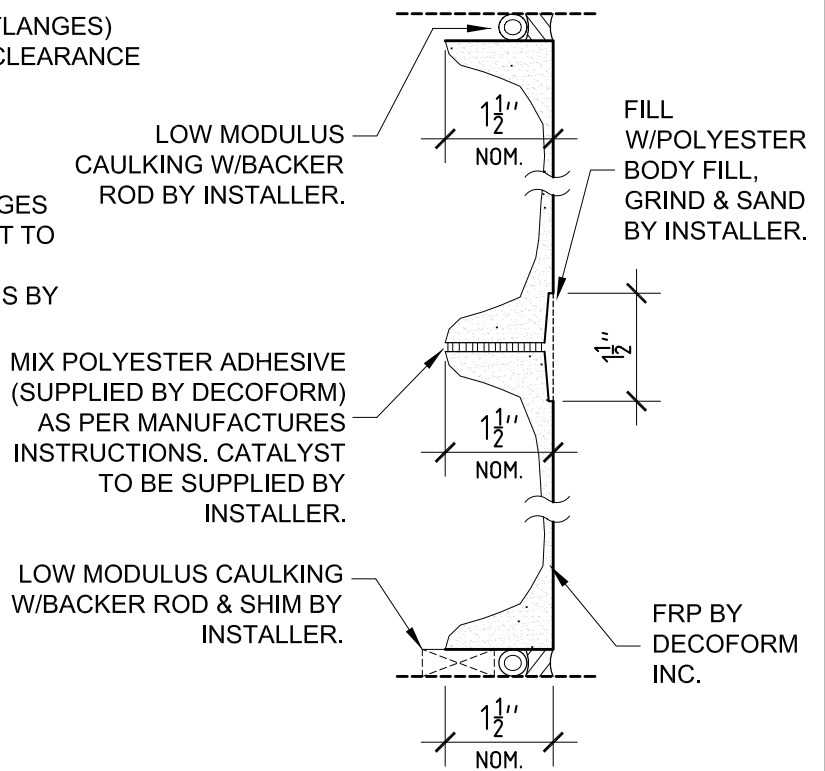
FLOOR LINE



DETAIL B



DETAIL A



DETAIL B

NOTES:

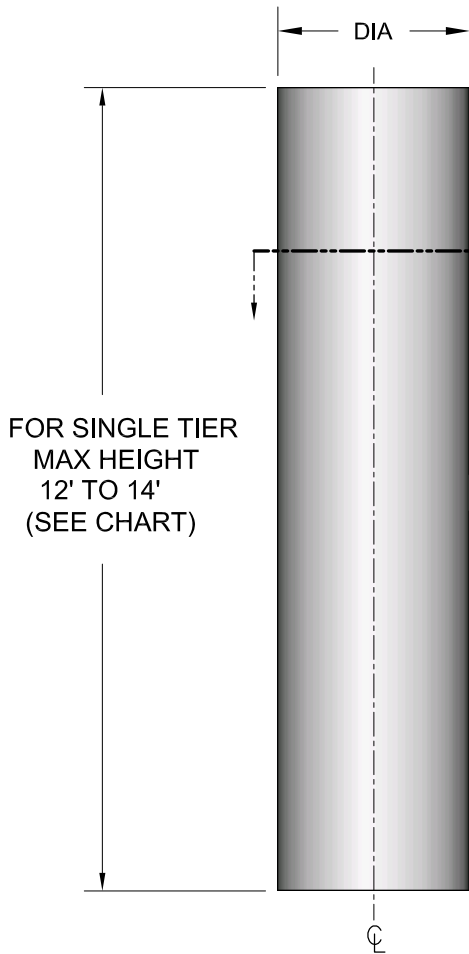
- (1) FRP IS FOR INTERIOR OR EXTERIOR USE.
- (2) FASTENING METHODS SHOWN ARE TYPICAL ONLY, LOCAL CODE REQUIREMENTS AND JOB CONDITIONS MUST BE VERIFIED.
- (3) INSTALLATION HARDWARE INCLUDING BRACES, STUDS, FASTENERS, SHIMS, CAULKING AND BODYFILL TO BE SUPPLIED BY OTHERS.
- (4) FULL MATERIAL SPECIFICATION IS AVAILABLE ON REQUEST.

Phone: (416)745-4970
Fax: (416)745-6636

www.decoform.com
1 (877) DECOFORM

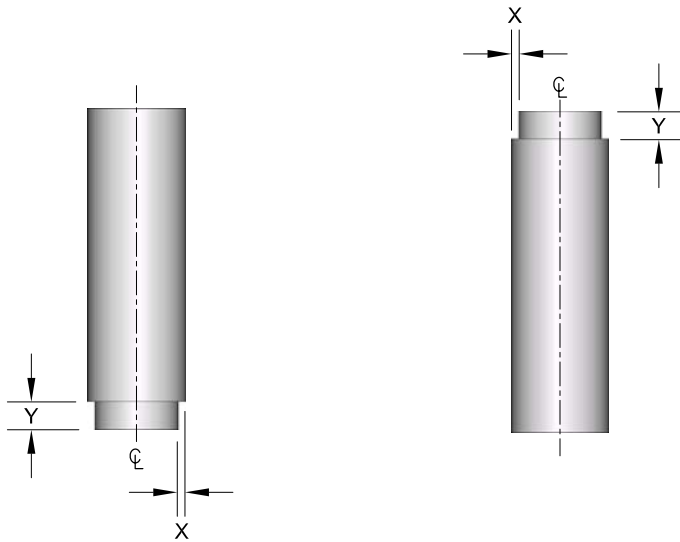


Typical FRP Installation
Monolithic Column Covers



FOR SINGLE TIER
MAX HEIGHT
12' TO 14'
(SEE CHART)

FOR SECTIONS SHOWING
TYPICAL JOINT & STACKING
DETAILS REFER TO PAGE
1-B.1 GRG
1-B.2 GRC
1-B.3 & 1-B.4 FRP



	DIA.	MAX. Ht.	PART No
*	6"	14'-0"	CC106
*	8"	14'-0"	CC108
*	10"	14'-0"	CC110
*	12"	14'-0"	CC112
*	14"	14'-0"	CC114
*	15"	12'-0"	CC115
*	16"	14'-0"	CC116
*	18"	14'-0"	CC118
*	20"	14'-0"	CC120
**	22"	14'-0"	CC122
**	24"	14'-0"	CC124
**	26"	14'-0"	CC126
**	28"	14'-0"	CC128
**	30"	14'-0"	CC130
**	32"	14'-0"	CC132
**	34"	14'-0"	CC134
**	36"	14'-0"	CC136
**	38"	14'-0"	CC138
**	40"	12'-0"	CC140
**	42"	12'-0"	CC142
**	48"	12'-0"	CC148
**	52"	12'-0"	CC152

STANDARD RECESSES:

- * - COL. COVERS FROM 6" DIA. TO 20" DIA.: X=1/2", Y=4"
- ** - COL. COVERS FROM 22" DIA. TO 52" DIA.: X=1" , Y=4"

(1) SEE PAGE 1-B.1 TO 1-B.4 FOR TYPICAL INSTALLATIONS AND ATTACHMENTS. (3) CUSTOM SIZE RECESSES AVAILABLE ON REQUEST.

(2) SEE SECTION 2 FOR TYPICAL CAPITAL & BASE OPTION. (4) SEE GENERAL INFORMATION PAGE i.

N.T.S.

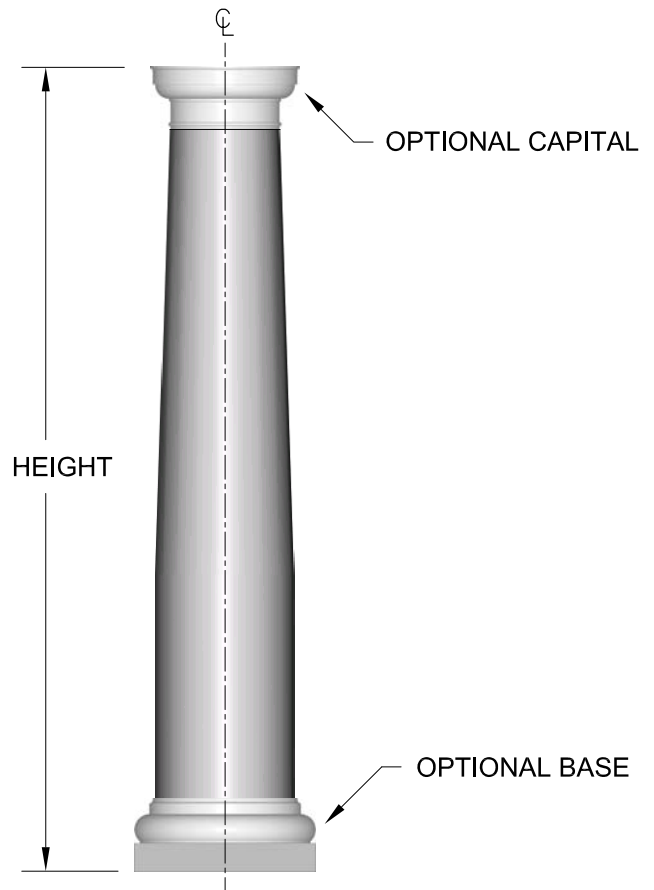
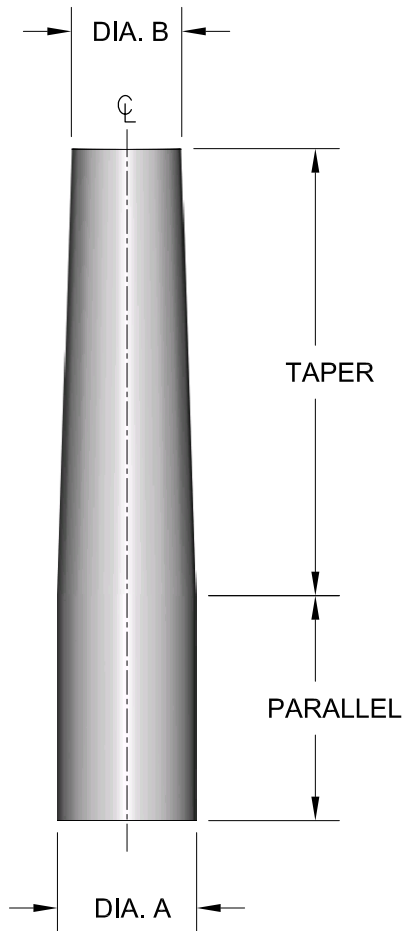
Phone: (416)745-4970
Fax: (416)745-6636

www.decoform.com
1 (877) DECOFORM



Plain Column Covers
and Recess Options

DIA. A	DIA. B	HEIGHT		PART No
		MIN	MAX	
10"	8"	5'-5"	8'-6"	CC210
12"	10"	5'-7"	9'-10"	CC212
14"	12"	6'-0"	10'-11"	CC214
16"	14"	7'-5"	13'-10"	CC216
* 18"	15"	8'-0"	15'-0"	CC218
* 20"	17"	8'-10"	16'-2"	CC220
* 22"	19"	9'-10"	19'-4"	CC222
* 24"	21"	10'-9"	19'-0"	CC224



* MAY BE SUPPLIED AS 2 TIERS

(1) SEE SECTION 2 FOR OTHER VARIATIONS OF BASES AND CAPITALS.

(3) SEE PAGE 1-B.1 TO 1-B.4 FOR TYPICAL INSTALLATIONS AND ATTACHMENTS.

(2) THE RELATIONSHIP BETWEEN TAPER AND PARALLEL LENGTHS WILL VARY DEPENDING UPON OVERALL HEIGHT.

(4) SEE GENERAL INFORMATION PAGE i.

N.T.S.

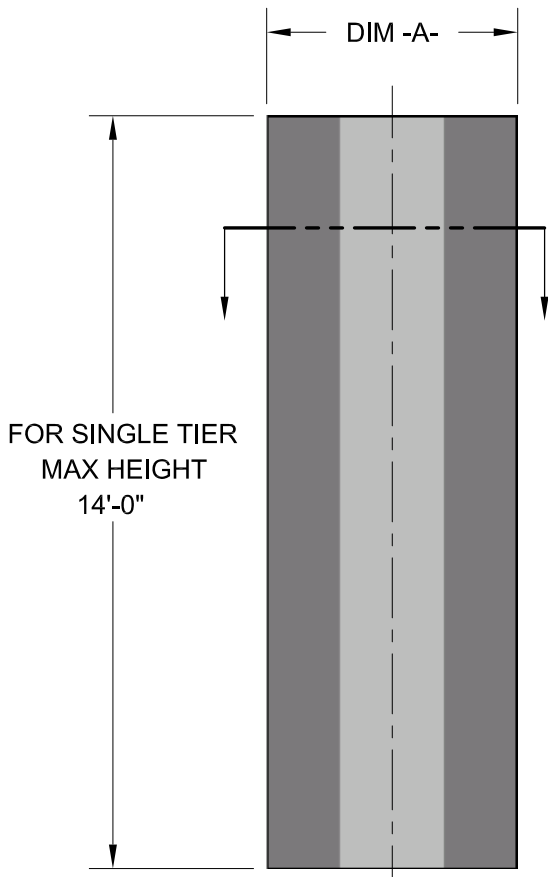
Phone: (416)745-4970
Fax: (416)745-6636



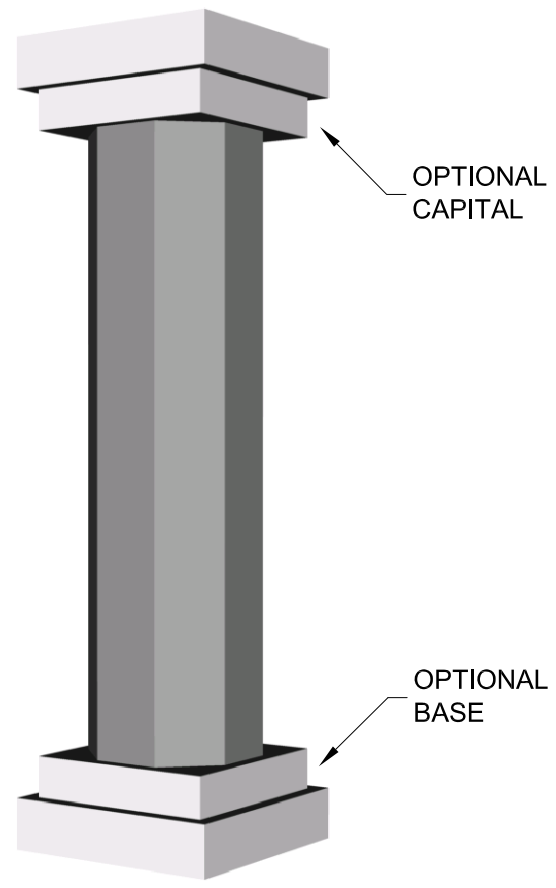
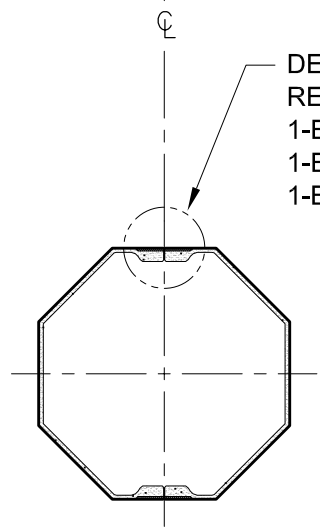
www.decoform.com
1 (877) DECOFORM

Tapered Column Covers

DIM -A-	PART No
10"	CC310
12"	CC312
16"	CC316
20"	CC320
24"	CC324
26"	CC326
30"	CC330



FOR SECTIONS SHOWING
JOINT & STACKING DETAILS
REFER TO PAGE
1-B.1 GRG
1-B.2 GRC
1-B.3 & 1-B.4 FRP



- (1) SEE PAGE 1-B.1 TO 1-B.4 FOR TYPICAL INSTALLATIONS AND ATTACHMENTS.
- (2) SEE GENERAL INFORMATION PAGE i.

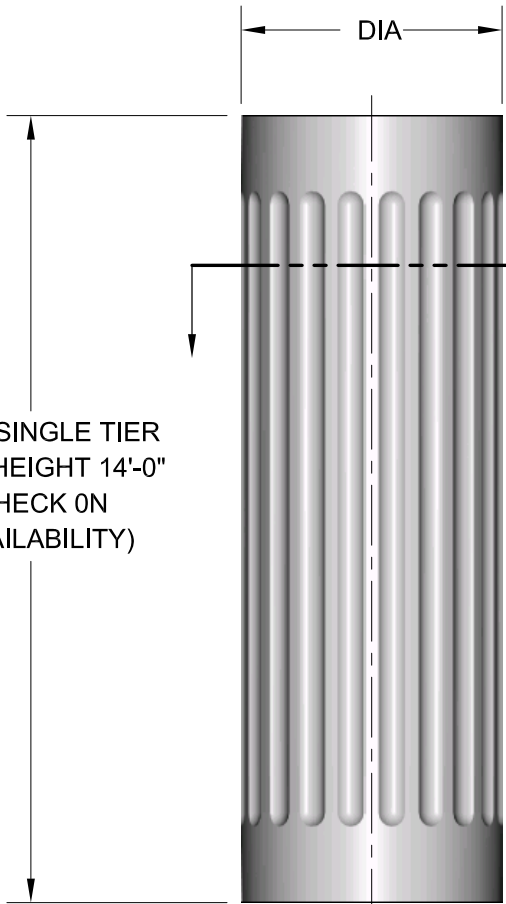
N.T.S.

Phone: (416)745-4970
Fax: (416)745-6636
www.decoform.com
1 (877) DECOFORM

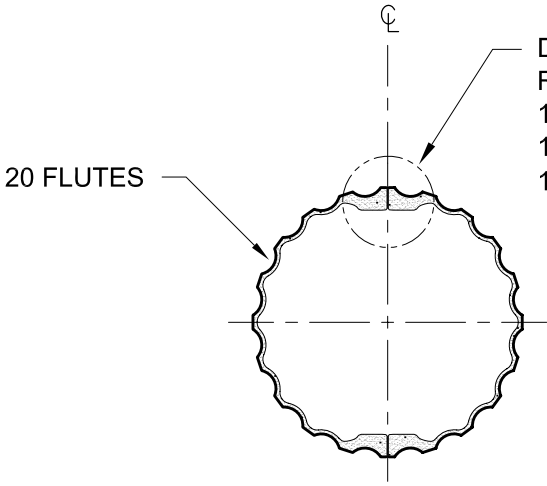
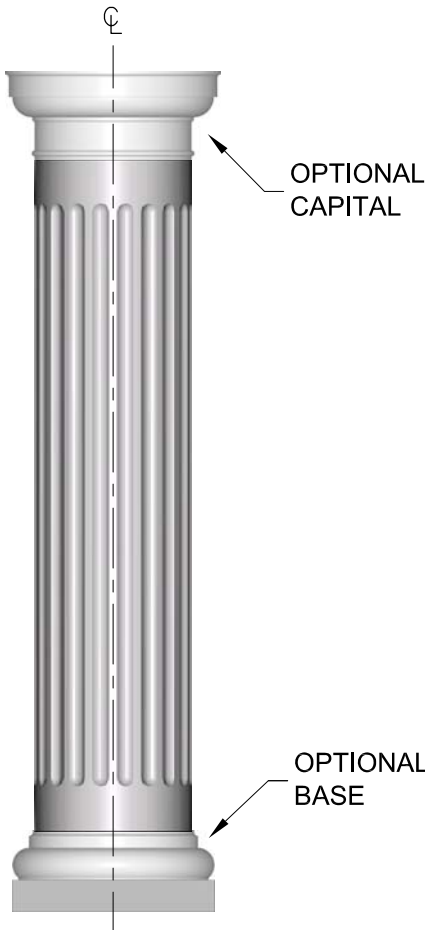


Octagonal Column Covers

DIA	PART No
10"	CC410
12"	CC412
14"	CC414
16"	CC416
18"	CC418
20"	CC420
22"	CC422
24"	CC424
26"	CC426



FOR SECTIONS SHOWING
JOINT & STACKING DETAILS
REFER TO PAGE
1-B.1 GRG
1-B.2 GRC
1-B.3 & 1-B.4 FRP



(1) SEE SECTION 2 FOR OTHER VARIATIONS OF BASES AND CAPITALS.

(3) SEE GENERAL INFORMATION PAGE i.

(2) SEE PAGE 1-B.1 TO 1-B.4 FOR TYPICAL INSTALLATIONS AND ATTACHMENTS.

N.T.S.

Phone: (416)745-4970
Fax: (416)745-6636
www.decoform.com
1 (877) DECOFORM

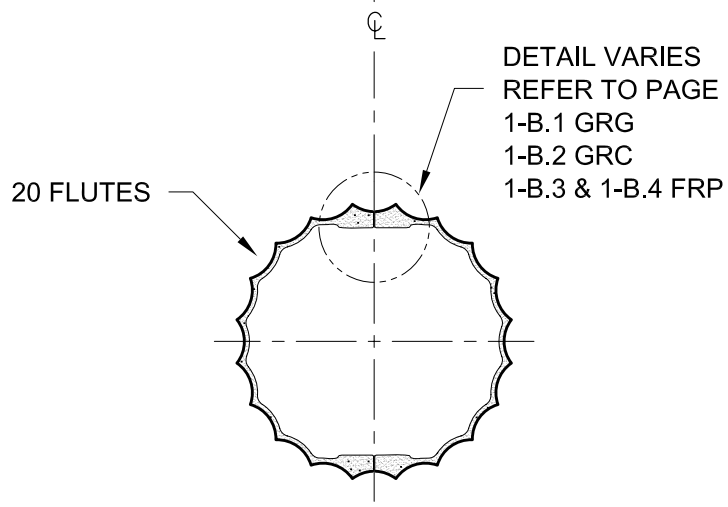
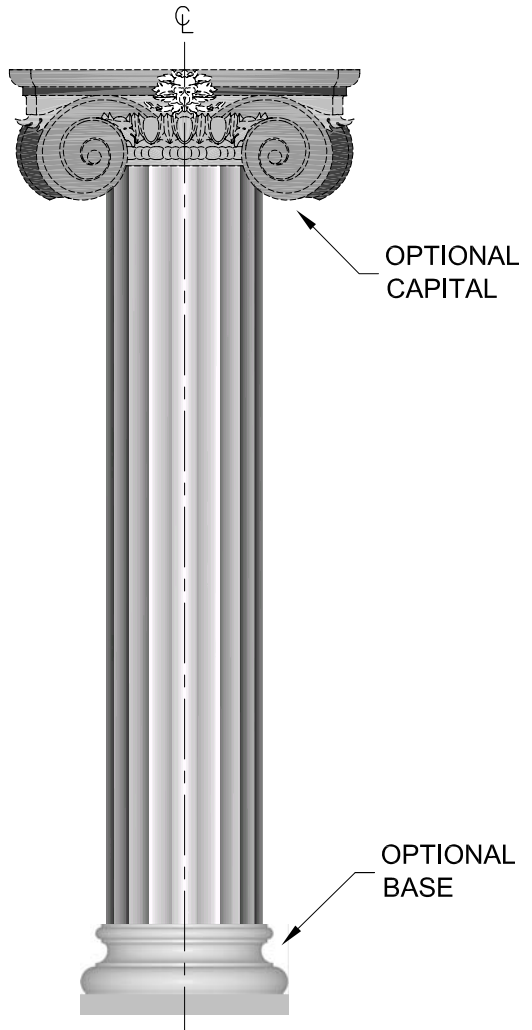


Fluted Column Covers

DIA	PART No
12"	CC512
14"	CC514
16"	CC516
18"	CC518
20"	CC520
22"	CC522
24"	CC524
26"	CC526
28"	CC528



FOR SECTIONS SHOWING
JOINT & STACKING DETAILS
REFER TO PAGE
1-B.1 GRG
1-B.2 GRC
1-B.3 & 1-B.4 FRP



(1) SEE SECTION 2 FOR OTHER VARIATIONS OF BASES AND CAPITALS.

(3) SEE GENERAL INFORMATION PAGE i.

(2) SEE PAGE 1-B.1 TO 1-B.4 FOR TYPICAL INSTALLATIONS AND ATTACHMENTS.

N.T.S.

Phone: (416)745-4970
Fax: (416)745-6636
www.decoform.com
1 (877) DECOFORM

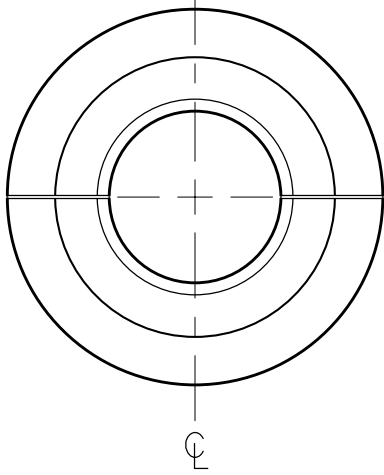
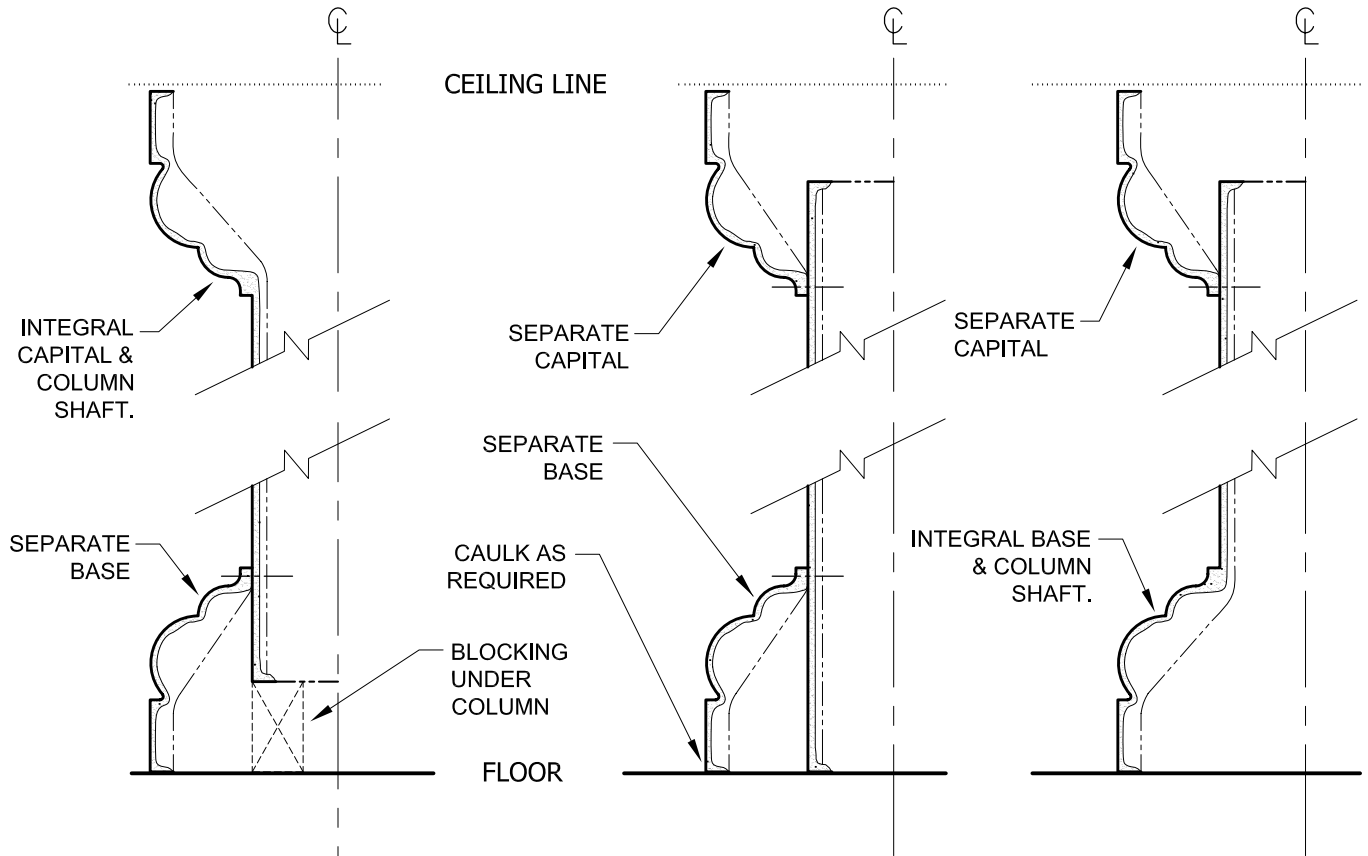


Fluted Column Covers

METHOD 1

METHOD 2

METHOD 3



SECTION THROUGH COLUMN

NOTES:

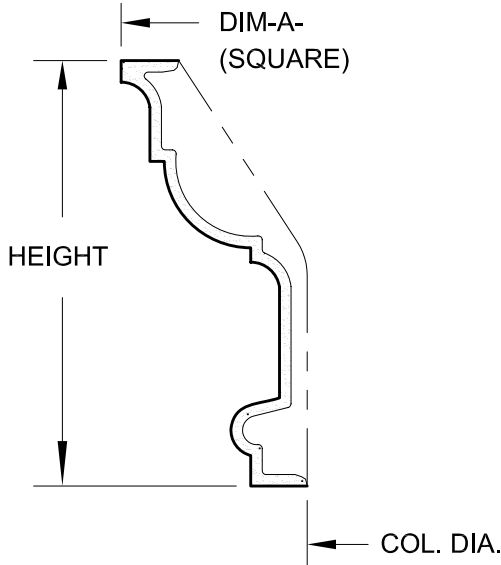
- (1) INDIVIDUAL CAPITALS, COLUMN SHAFTS AND BASES WILL BE SUPPLIED AS PER METHOD 1 UNLESS STATED OTHERWISE AT TIME OF QUOTE REQUEST.
- (2) COLUMN SHAFTS WITH INTEGRAL BASE ARE AVAILABLE AS SHOWN IN METHOD 3.
- (3) TAPE JOINTS ARE PROVIDED ONLY ON GRG UNITS AND WHERE PROFILES PERMIT.
- (4) CAPITALS AND BASES ARE SUPPLIED AS HALVES.
- (5) ATTACH CAPITAL OR BASE WITH CONSTRUCTION ADHESIVE AND SCREWS.

N.T.S.

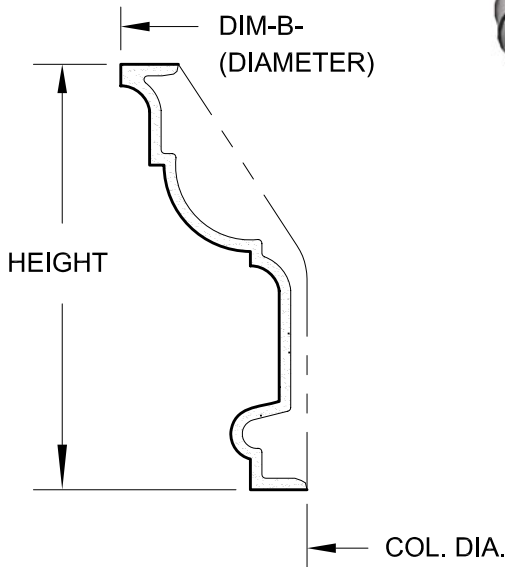
Phone: (416)745-4970
 Fax: (416)745-6636
 www.decoform.com
 1 (877) DECOFORM



Assembly Options
Capitals & Bases



COL DIA	HEIGHT	DIM-A-	PART No
6 "	4 3/4"	9 3/4"	CB0106
8 "	5 3/8"	12 1/4"	CB0108
10"	6 3/8"	15 1/4"	CB0110
12"	7 3/8"	17 3/4"	CB0112
14"	8 3/8"	20 1/4"	CB0114
16"	9 3/8"	23"	CB0116
18"	10 3/8"	25 1/2"	CB0118
20"	11 3/8"	28"	CB0120
22"	12 3/8"	30 1/2"	CB0122
24"	13 3/8"	33 1/4"	CB0124
26"	14 3/8"	35 3/4"	CB0126
28"	15 3/8"	38"	CB0128
30"	16 3/8"	40 3/4"	CB0130
32"	17 3/8"	43 1/4"	CB0132
34"	18 3/8"	46"	CB0134
36"	19 3/8"	49 3/8"	CB0136



COL DIA	HEIGHT	DIM-B-	PART No
8 "	5 3/8"	12 1/4"	CB0208
10"	6 3/8"	15 1/4"	CB0210
12"	7 3/8"	17 3/4"	CB0212
14"	8 3/8"	20 1/4"	CB0214
16"	9 3/8"	23"	CB0216
18"	10 3/8"	25 1/2"	CB0218
20"	11 3/8"	28"	CB0220
22"	12 3/8"	30 1/2"	CB0222
24"	13 3/8"	33 1/4"	CB0224
26"	14 3/8"	35 3/4"	CB0226
28"	15 3/8"	38"	CB0228
30"	16 3/8"	40 3/4"	CB0230
32"	17 3/8"	43 1/4"	CB0232

(1) CAPITALS & BASES ARE SUPPLIED AS HALVES.

(3) SEE SECTION 1 FOR COLUMN COVER SELECTIONS.

N.T.S.

(2) SEE PAGE 2-A FOR ASSEMBLY OPTIONS.

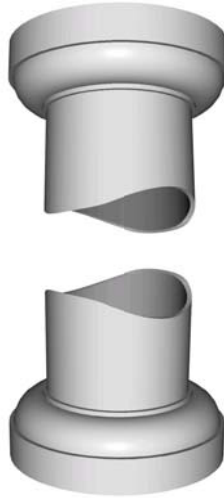
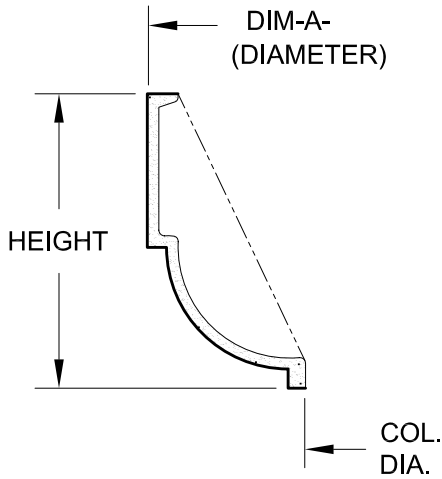
(4) SEE GENERAL INFORMATION PAGE i.

Phone: (416)745-4970
Fax: (416)745-6636

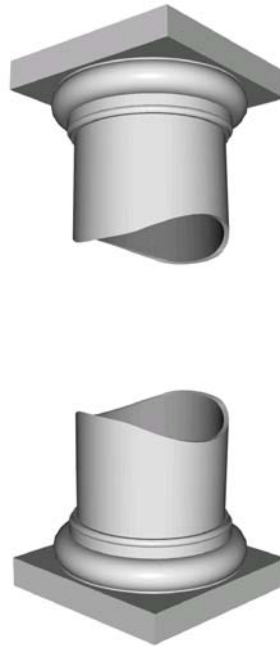
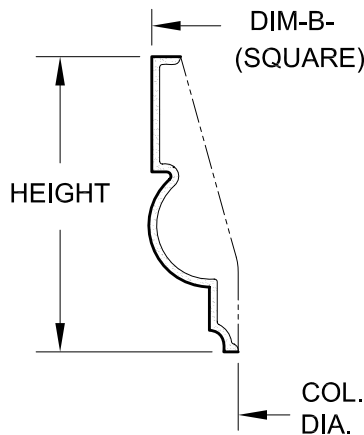
www.decoform.com
1 (877) DECOFORM



Capitals & Bases



COL DIA	HEIGHT	DIM-A-	PART No
8"	3 ³ / ₄ "	10 ³ / ₈ "	CB0308
10"	5 ¹ / ₈ "	15 ¹ / ₂ "	CB0310
12"	5 ³ / ₄ "	18 ¹ / ₄ "	CB0312
14"	6 ³ / ₄ "	21"	CB0314
16"	7 ³ / ₄ "	23 ³ / ₄ "	CB0316
18"	8 ³ / ₄ "	26 ¹ / ₂ "	CB0318
20"	9 ³ / ₄ "	29 ¹ / ₂ "	CB0320
22"	10 ³ / ₄ "	32 ³ / ₄ "	CB0322
24"	11 ³ / ₄ "	35 ¹ / ₂ "	CB0324



COL DIA	HEIGHT	DIM-B-	PART No
8"	4 ³ / ₈ "	11 ¹ / ₈ "	CB0408
10"	5 ³ / ₈ "	13 ¹ / ₂ "	CB0410
12"	6 ³ / ₈ "	16 ¹ / ₈ "	CB0412
14"	7 ³ / ₈ "	18 ⁵ / ₈ "	CB0414
16"	8 ³ / ₈ "	21 ¹ / ₈ "	CB0416
18"	9 ³ / ₈ "	23 ³ / ₄ "	CB0418
20"	10 ³ / ₈ "	26 ¹ / ₄ "	CB0420
22"	11 ³ / ₈ "	28 ³ / ₄ "	CB0422
24"	12 ³ / ₈ "	31 ³ / ₈ "	CB0424
26"	13 ³ / ₈ "	33 ⁷ / ₈ "	CB0426
28"	14 ³ / ₈ "	36 ¹ / ₂ "	CB0428
30"	15 ³ / ₈ "	39"	CB0430
32"	16 ³ / ₈ "	41 ¹ / ₂ "	CB0432
36"	18 ³ / ₈ "	46 ¹ / ₂ "	CB0436
40"	20 ¹ / ₂ "	52"	CB0440
42"	21 ³ / ₈ "	52 ³ / ₄ "	CB0442

(1) CAPITALS & BASES ARE SUPPLIED AS HALVES.

(3) SEE SECTION 1 FOR COLUMN COVER SELECTIONS.

(2) SEE PAGE 2-A FOR ASSEMBLY OPTIONS.

(4) SEE GENERAL INFORMATION PAGE i.

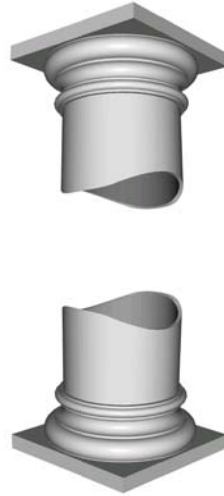
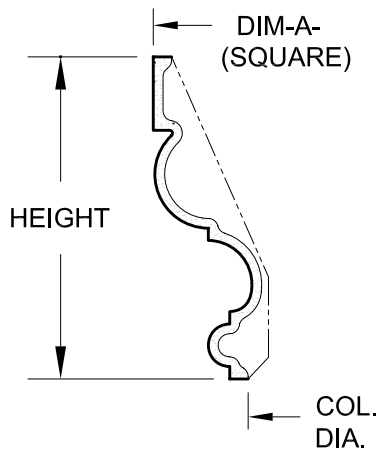
N.T.S.

Phone: (416)745-4970
Fax: (416)745-6636

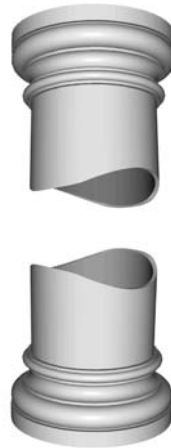
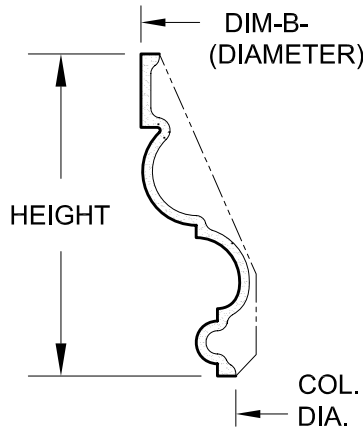
www.decoform.com
1 (877) DECOFORM

Decoform

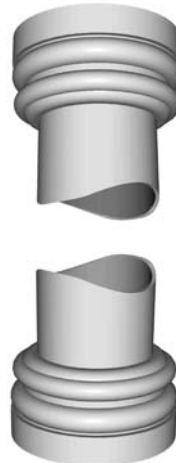
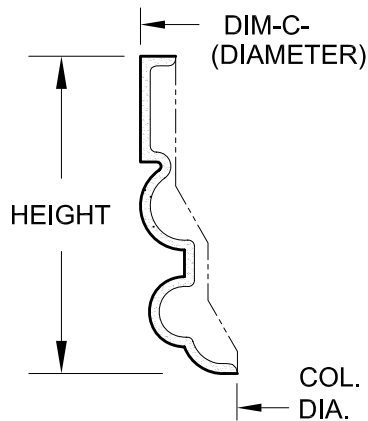
Capitals & Bases



COL DIA	HEIGHT	DIM-A-	PART No
10"	5 3/4"	13 3/8"	CB0710
12"	6 7/8"	16"	CB0712
14"	8"	18 5/8"	CB0714
16"	9 1/8"	21 1/4"	CB0716
18"	10 1/4"	23 3/4"	CB0718
20"	11 7/16"	26 1/4"	CB0720
22"	12 1/2"	28 7/8"	CB0722
24"	13 1 1/16"	31 3/8"	CB0724
28"	(14 15/16")	(34 1/8")	CB0728
32"	18 3/16"	42"	CB0732



COL DIA	HEIGHT	DIM-B-	PART No
12"	6 7/8"	16"	CB1612
14"	8"	18 5/8"	CB1614
18"	10 1/4"	23 3/4"	CB1618
20"	11 7/16"	26 1/4"	CB1620
22"	(12 3/4")	(28 3/4")	CB1622
24"	(14 1/16")	(31 1/4")	CB1624



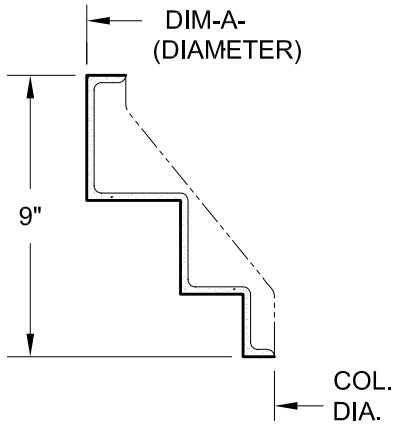
COL DIA	HEIGHT	DIM-C-	PART No
14"	10 1/2"	20 3/8"	CB0814
16"	12"	23 3/8"	CB0816
18"	13 1/2"	26 1/4"	CB0818
20"	15"	29 1/8"	CB0820
24"	18"	35"	CB0824

N.T.S. (1) CAPITALS & BASES ARE SUPPLIED AS HALVES. (2) SEE PAGE 2-A FOR ASSEMBLY OPTIONS. (3) SEE SECTION 1 FOR COLUMN COVER SELECTIONS. (4) SEE GENERAL INFORMATION PAGE i.

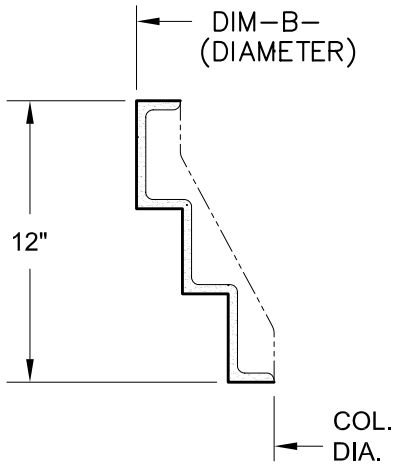
Phone: (416)745-4970
 Fax: (416)745-6636
 www.decoform.com
 1 (877) DECOFORM



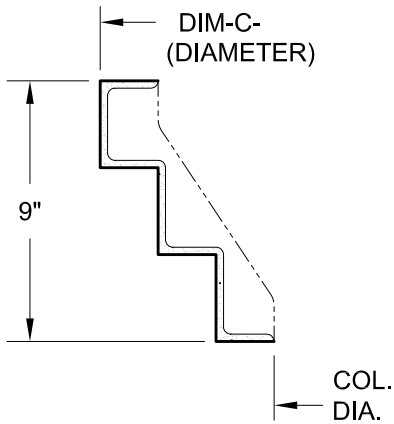
Capitals & Bases



COL DIA	DIM-A-	PART No
20"	32"	CB1320
24"	36"	CB1324
28"	40"	CB1328



COL DIA	DIM-B-	PART No
18"	30"	CB1418
22"	34"	CB1422
26"	38"	CB1426



COL DIA	DIM-C-	PART No
16"	28"	CB1516
18"	30"	CB1518
20"	32"	CB1520
22"	34"	CB1522
24"	36"	CB1524

(1) CAPITALS & BASES ARE SUPPLIED AS HALVES.

(3) SEE SECTION 1 FOR COLUMN COVER SELECTIONS.

N.T.S. (2) SEE PAGE 2-A FOR ASSEMBLY OPTIONS.

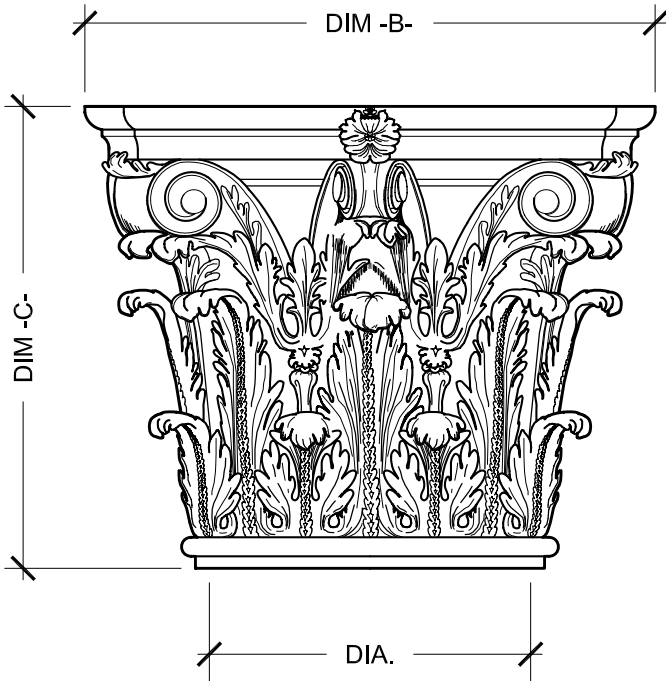
(4) SEE GENERAL INFORMATION PAGE i.

Phone: (416)745-4970
 Fax: (416)745-6636

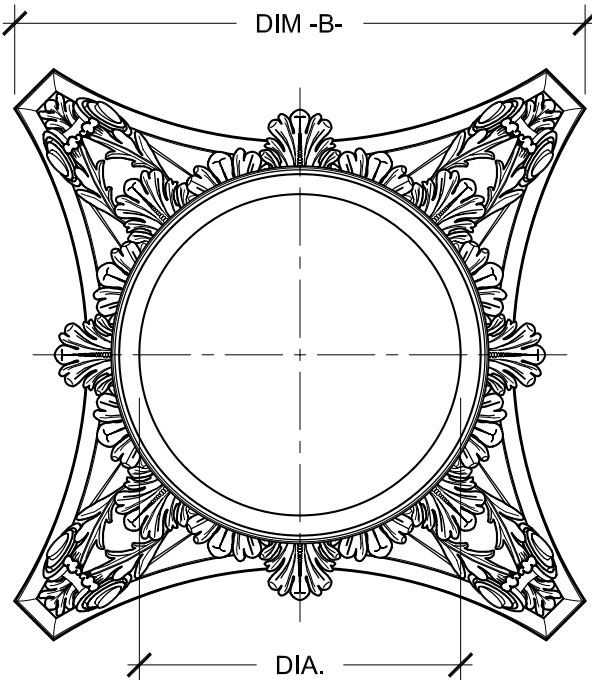
www.decoform.com
 1 (877) DECOFORM



Capitals & Bases



SIDE VIEW



BOTTOM VIEW

N.T.S.

DIA	DIM-B-	DIM-C-	PART No
10"	17 ³ / ₄ "	14 ³ / ₈ "	CA0010
12"	20 ³ / ₄ "	16 ⁷ / ₈ "	CA0012
14"	23 ³ / ₄ "	19 ¹ / ₈ "	CA0014
16"	26 ³ / ₄ "	21 ⁵ / ₈ "	CA0016
18"	29 ³ / ₄ "	24"	CA0018
20"	32 ³ / ₄ "	26 ³ / ₈ "	CA0020
22"	35 ³ / ₄ "	28 ⁷ / ₈ "	CA0022

NOTES:

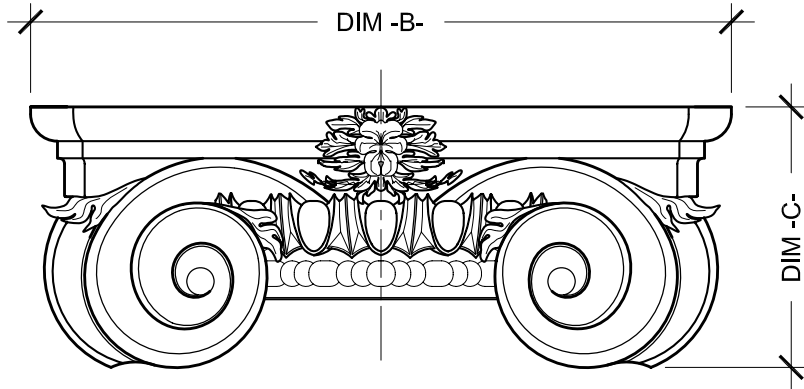
- (1) CAPITALS ARE SUPPLIED AS HALVES.
- (2) SEE SECTION 1 FOR COLUMN COVER SELECTIONS.

Phone: (416)745-4970
 Fax: (416)745-6636

www.decoform.com
 1 (877) DECOFORM

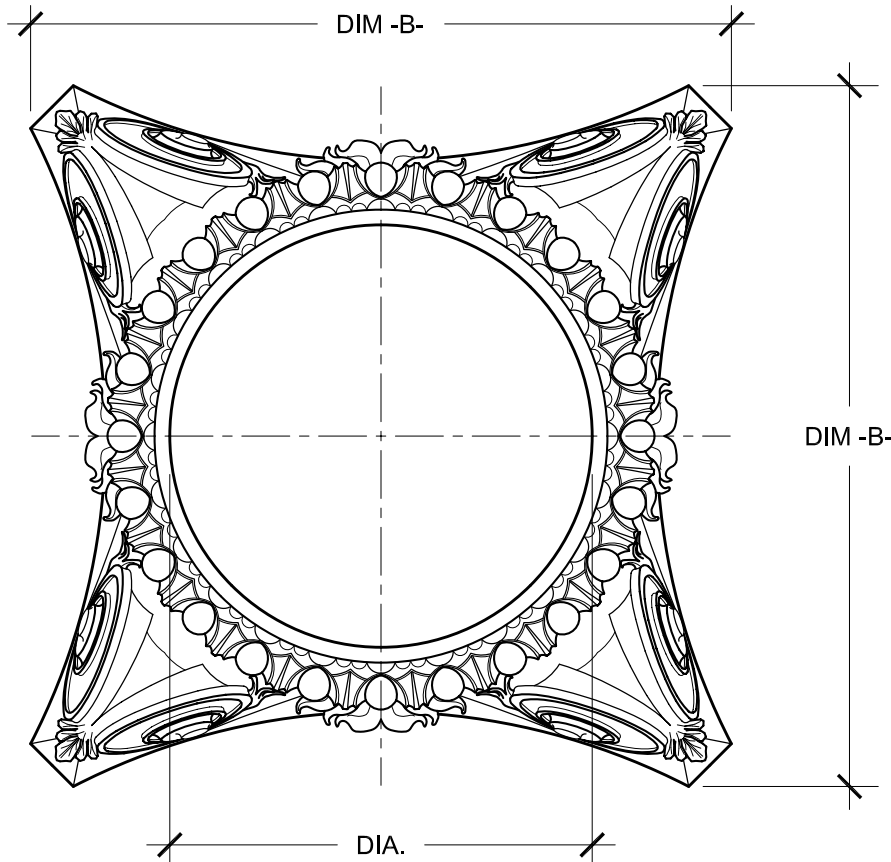


Corinthian Capitals



SIDE VIEW

DIA	DIM-B-	DIM-C-	PART No
9"	(16 1/4")	(6")	CA0109
10"	18 1/4"	6 3/4"	CA0110
12"	20 1/2"	7 5/8"	CA0112
14"	23 7/8"	8 7/8"	CA0114
16"	27 3/8"	10 1/8"	CA0116
18"	30 3/4"	11 3/8"	CA0118
20"	34 1/8"	12 3/4"	CA0120
22"	37 5/8"	14"	CA0122



BOTTOM VIEW

NOTES:

- (1) CAPITALS ARE SUPPLIED AS HALVES.
- (2) SEE SECTION 1 FOR COLUMN COVER SELECTIONS.

N.T.S.

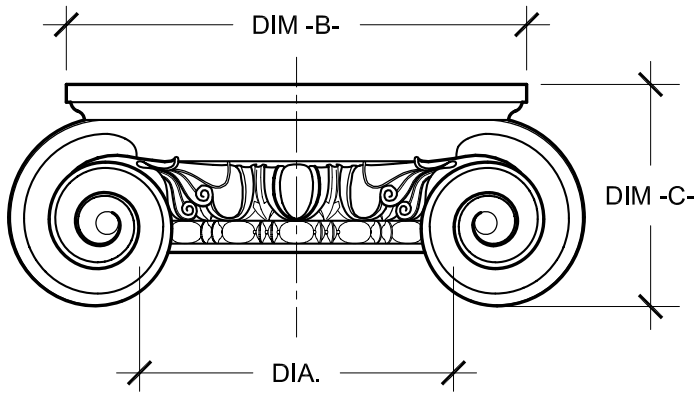
Phone: (416)745-4970
 Fax: (416)745-6636

www.decoform.com
 1 (877) DECOFORM

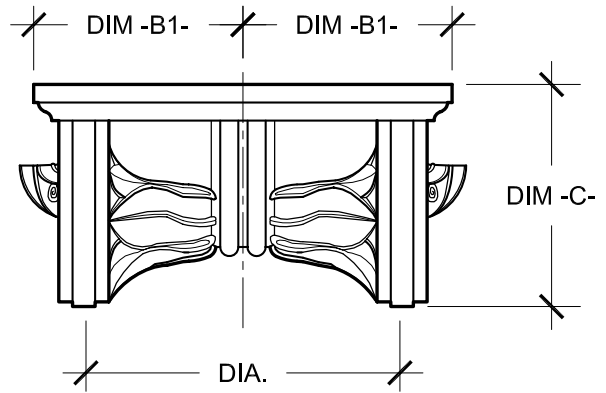


Scamozzi Capitals

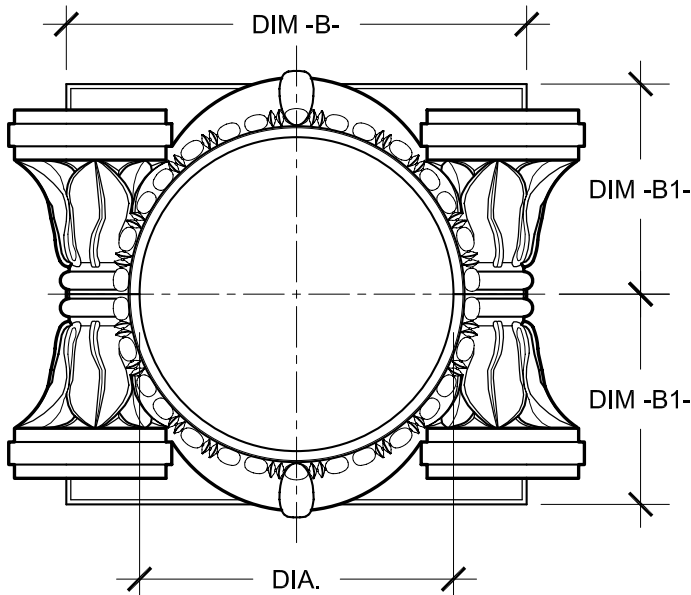
DIA	DIM-B-	DIM-B1-	DIM-C-	PART No
14"	19 $\frac{1}{8}$ "	8 $\frac{1}{4}$ "	8"	CA3014
24"	36"	16"	14 $\frac{1}{2}$ "	CA3024
26"	(36")	(16 $\frac{1}{4}$ ")	(17 $\frac{1}{2}$ ")	CA3026



FRONT VIEW



SIDE VIEW



BOTTOM VIEW

NOTES:

- (1) CAPITALS ARE SUPPLIED AS HALVES.
- (2) SEE SECTION 1 FOR COLUMN COVER SELECTIONS.

N.T.S.

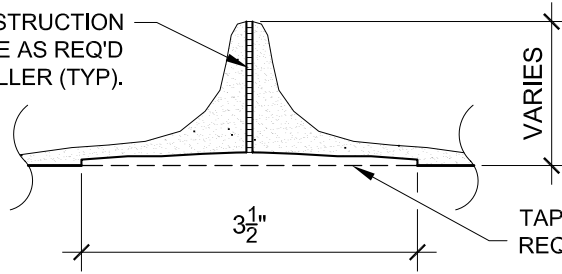
Phone: (416)745-4970
Fax: (416)745-6636

www.decoform.com
1 (877) DECOFORM

Decoform

Roman Ionic Capitals

CONSTRUCTION
ADHESIVE AS REQ'D
BY INSTALLER (TYP).

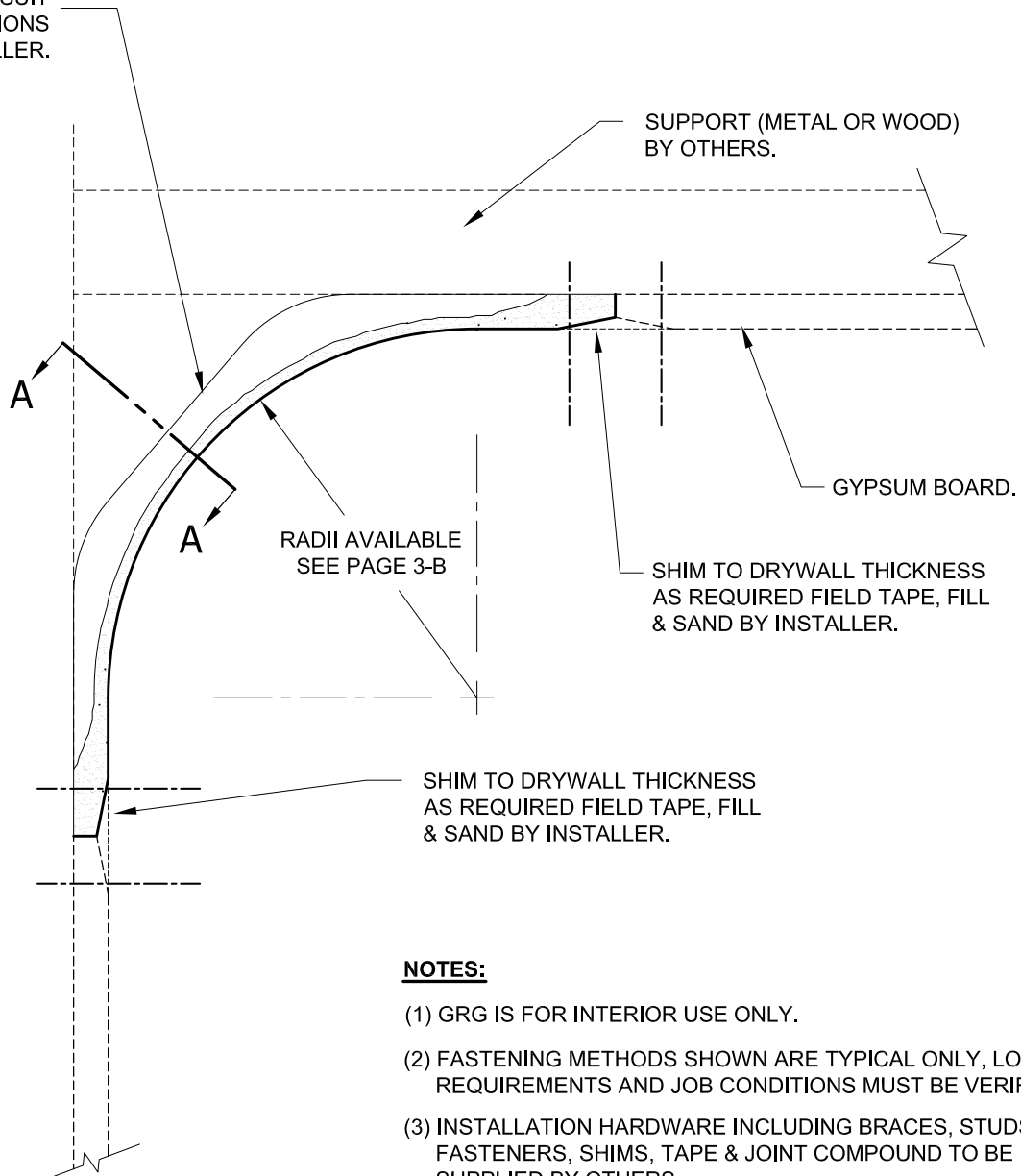


VARIES

TAPE, FILL AND SAND AS
REQ'D BY INSTALLER (TYP).

SECTION A-A

END FLANGES MAY
BE CUT TO SUIT
SITE CONDITIONS
BY INSTALLER.



SUPPORT (METAL OR WOOD)
BY OTHERS.

GYPSUM BOARD.

RADII AVAILABLE
SEE PAGE 3-B

SHIM TO DRYWALL THICKNESS
AS REQUIRED FIELD TAPE, FILL
& SAND BY INSTALLER.

SHIM TO DRYWALL THICKNESS
AS REQUIRED FIELD TAPE, FILL
& SAND BY INSTALLER.

NOTES:

- (1) GRG IS FOR INTERIOR USE ONLY.
- (2) FASTENING METHODS SHOWN ARE TYPICAL ONLY, LOCAL CODE REQUIREMENTS AND JOB CONDITIONS MUST BE VERIFIED.
- (3) INSTALLATION HARDWARE INCLUDING BRACES, STUDS, FASTENERS, SHIMS, TAPE & JOINT COMPOUND TO BE SUPPLIED BY OTHERS.
- (4) FULL MATERIAL SPECIFICATION IS AVAILABLE ON REQUEST.
- (5) PREMOLDED CORNERS ARE AVAILABLE.

N.T.S.

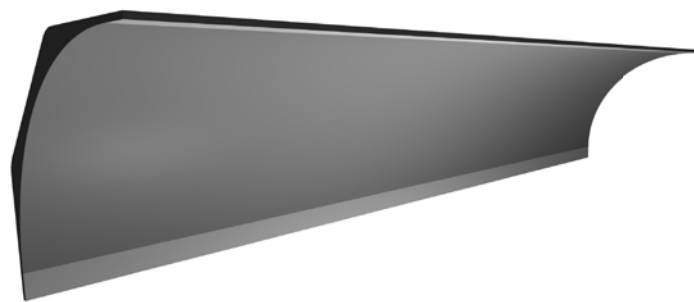
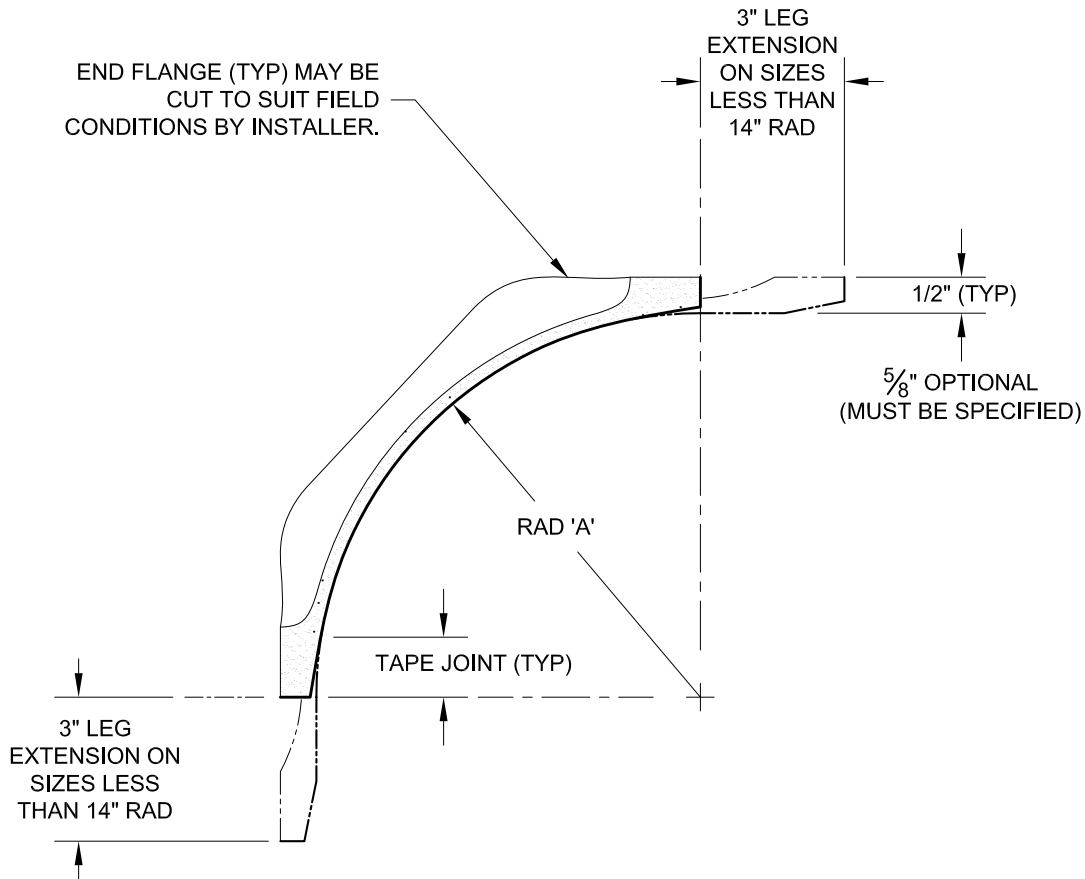
Phone: (416)745-4970
Fax: (416)745-6636

www.decoform.com
1 (877) DECOFORM

Decoform

Typical Installation (GRG) Coves (Reflectors)

RAD A	PART No
4"	CR004
6"	CR006
7"	CR007
8"	CR008
9"	CR009
10"	CR010
12"	CR012
14"	CR014
15"	CR015
16"	CR016
18"	CR018
20"	CR020
22"	CR022
24"	CR024
30"	CR030
48"	CR048



REFLECTOR SHADED PERSPECTIVE VIEW

(1) SHIPPED IN STRAIGHT LENGTHS OF 8'-0" MAXIMUM WITH TAPE JOINTS BOTH ENDS.

(3) PREMOLDED CORNERS ARE AVAILABLE.

(2) SEE PAGE 3-A FOR TYPICAL INSTALLATIONS AND ATTACHMENTS.

(4) SEE GENERAL INFORMATION PAGE i.

N.T.S.

Phone: (416)745-4970
 Fax: (416)745-6636

www.decoform.com
 1 (877) DECOFORM



GRG Coves (Reflectors)

FOR COVES
(REFLECTORS)
SEE SECTION 3.

STUD.

No. 12 GAUGE
HANGER WIRE
(BELOW LINE
OF SITE).

MOUNTING
BRACKET.

A

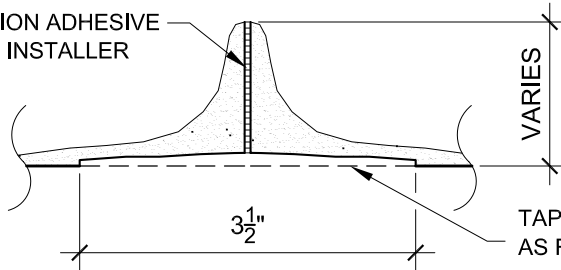
A

TAPE JOINT (GRG ONLY)
CONSULT WITH DECOFORM
FOR DETAILS WHEN USING
OTHER MATERIALS.

GYPSUM BOARD.

END FLANGES MAY BE CUT TO SUIT
SITE CONDITIONS BY INSTALLER.

CONSTRUCTION ADHESIVE
AS REQ'D BY INSTALLER
(TYP).



TAPE, FILL AND SAND
AS REQ'D BY INSTALLER
(TYP).

SECTION A-A (GRG ONLY)

NOTES:

- (1) LIGHT COVES CAN BE SUPPLIED IN GRG, GRC, FRP OR SANDSCAPE.
- (2) GRG IS FOR INTERIOR USE ONLY.
- (3) FASTENING METHODS SHOWN ARE TYPICAL ONLY,
LOCAL CODE REQUIREMENTS AND JOB CONDITIONS MUST BE VERIFIED.
- (4) SUPPORT LIGHT FIXTURE DIRECTLY TO METAL OR WOOD BRACING.
(NOT TO LIGHT COVE).
- (5) ON LARGER PROFILES, WIRE TIES ARE RECOMMENDED.

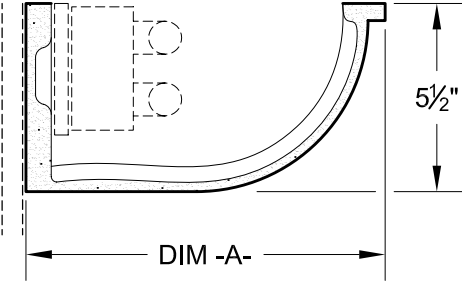
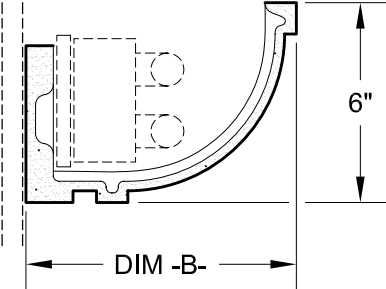
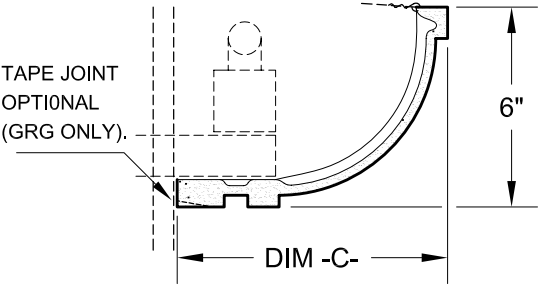
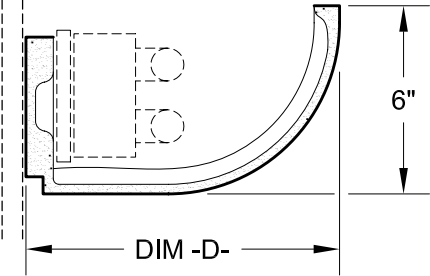
N.T.S.

Phone: (416)745-4970
Fax: (416)745-6636

www.decoform.com
1 (877) DECOFORM

Decoform

Typical Installation Light Coves

	DIM -A-	PART No 10" LC001
	DIM -B-	PART No 8 1/2" LC010
	DIM -C-	PART No 8 1/2" LC011
	DIM -D-	PART No 10" LC020

(1) SHIPPED IN STRAIGHT LENGTHS OF 8'-0" MAX. (WITH TAPE JOINTS BOTH ENDS; GRG ONLY).

(3) SEE PAGE 4-A FOR TYPICAL INSTALLATION AND ATTACHMENTS.

(2) END FLANGES ARE FOR PRODUCT SUPPORT AND MAY NOT BE EXACTLY AS SHOWN.

(4) LIGHT FIXTURES, BRACKETS ETC. ARE BY INSTALLER. ONLY TYPICAL INSTALLATION IS SHOWN.

(5) SEE GENERAL INFORMATION PAGE i.

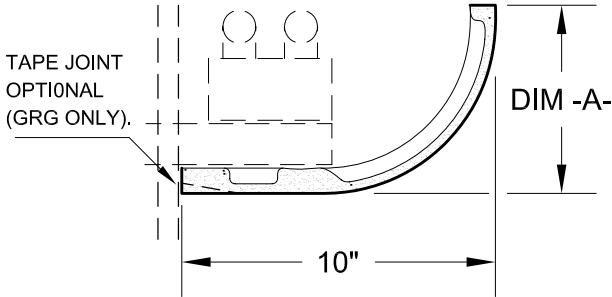
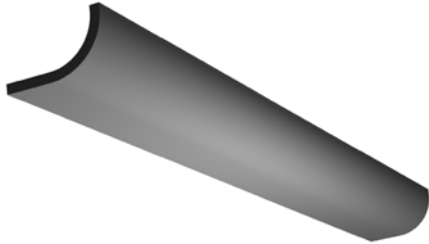
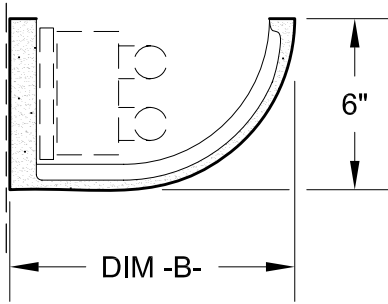
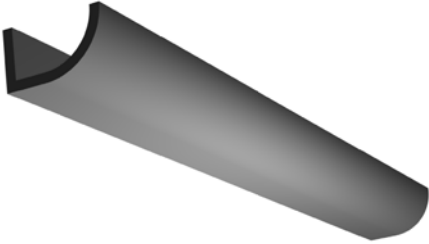
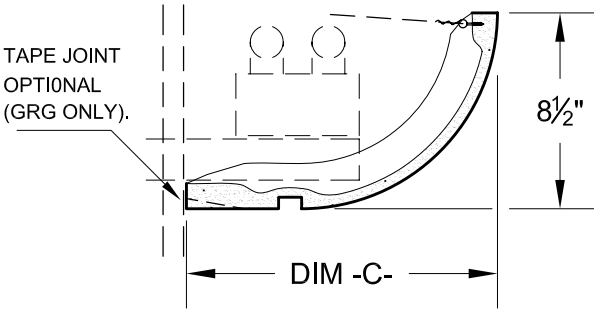
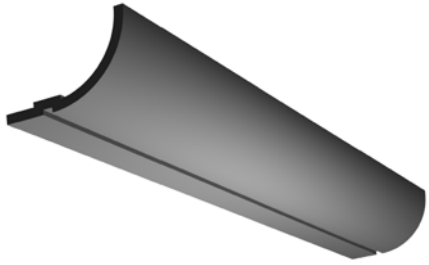
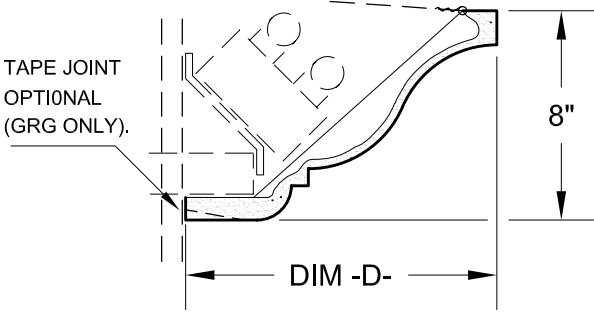

N.T.S.

Phone: (416)745-4970
Fax: (416)745-6636

www.decoform.com
1 (877) DECOFORM

Decoform

Light Coves

	<table border="1"> <thead> <tr> <th>DIM -A-</th> <th>PART No</th> </tr> </thead> <tbody> <tr> <td>5"</td> <td>LC021</td> </tr> <tr> <td>6"</td> <td>LC022</td> </tr> <tr> <td>7"</td> <td>LC023</td> </tr> <tr> <td> </td> <td> </td> </tr> <tr> <td> </td> <td> </td> </tr> <tr> <td> </td> <td> </td> </tr> <tr> <td> </td> <td> </td> </tr> <tr> <td> </td> <td> </td> </tr> </tbody> </table>	DIM -A-	PART No	5"	LC021	6"	LC022	7"	LC023											
DIM -A-	PART No																			
5"	LC021																			
6"	LC022																			
7"	LC023																			
	<table border="1"> <thead> <tr> <th>DIM -B-</th> <th>PART No</th> </tr> </thead> <tbody> <tr> <td>9"</td> <td>LC025</td> </tr> <tr> <td> </td> <td> </td> </tr> <tr> <td> </td> <td> </td> </tr> <tr> <td> </td> <td> </td> </tr> <tr> <td> </td> <td> </td> </tr> <tr> <td> </td> <td> </td> </tr> <tr> <td> </td> <td> </td> </tr> <tr> <td> </td> <td> </td> </tr> </tbody> </table>	DIM -B-	PART No	9"	LC025															
DIM -B-	PART No																			
9"	LC025																			
	<table border="1"> <thead> <tr> <th>DIM -C-</th> <th>PART No</th> </tr> </thead> <tbody> <tr> <td>12"</td> <td>LC031</td> </tr> <tr> <td> </td> <td> </td> </tr> <tr> <td> </td> <td> </td> </tr> <tr> <td> </td> <td> </td> </tr> <tr> <td> </td> <td> </td> </tr> <tr> <td> </td> <td> </td> </tr> <tr> <td> </td> <td> </td> </tr> <tr> <td> </td> <td> </td> </tr> </tbody> </table>	DIM -C-	PART No	12"	LC031															
DIM -C-	PART No																			
12"	LC031																			
	<table border="1"> <thead> <tr> <th>DIM -D-</th> <th>PART No</th> </tr> </thead> <tbody> <tr> <td>12"</td> <td>LC040</td> </tr> <tr> <td> </td> <td> </td> </tr> <tr> <td> </td> <td> </td> </tr> <tr> <td> </td> <td> </td> </tr> <tr> <td> </td> <td> </td> </tr> <tr> <td> </td> <td> </td> </tr> <tr> <td> </td> <td> </td> </tr> <tr> <td> </td> <td> </td> </tr> </tbody> </table>	DIM -D-	PART No	12"	LC040															
DIM -D-	PART No																			
12"	LC040																			

(1) SHIPPED IN STRAIGHT LENGTHS OF 8'-0" MAX. (WITH TAPE JOINTS BOTH ENDS; GRG ONLY).

(3) SEE PAGE 4-A FOR TYPICAL INSTALLATION AND ATTACHMENTS.

(2) END FLANGES ARE FOR PRODUCT SUPPORT AND MAY NOT BE EXACTLY AS SHOWN.

(4) LIGHT FIXTURES, BRACKETS ETC. ARE BY INSTALLER. ONLY TYPICAL INSTALLATION IS SHOWN.

(5) SEE GENERAL INFORMATION PAGE i.

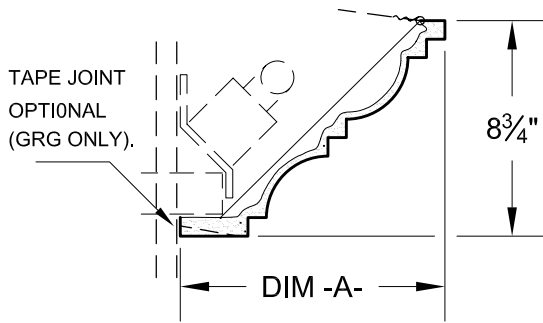
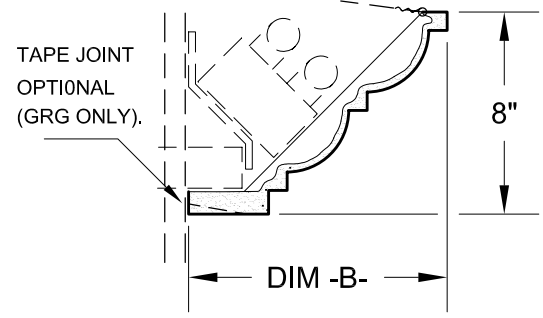
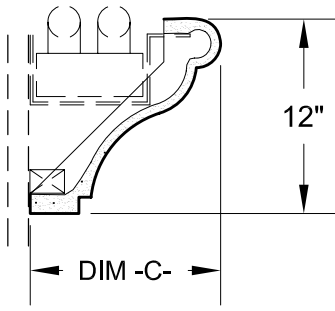
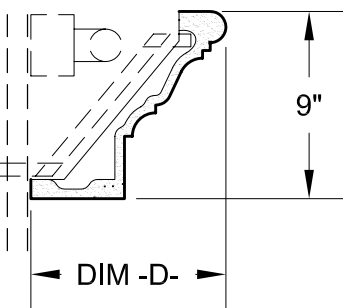
N.T.S.

Phone: (416)745-4970
Fax: (416)745-6636

www.decoform.com
1 (877) DECOFORM

Decoform

Light Coves

	<table border="1"> <thead> <tr> <th>DIM -A-</th> <th>PART No</th> </tr> </thead> <tbody> <tr> <td>12"</td> <td>LC061</td> </tr> <tr><td> </td><td> </td></tr> <tr><td> </td><td> </td></tr> <tr><td> </td><td> </td></tr> <tr><td> </td><td> </td></tr> <tr><td> </td><td> </td></tr> <tr><td> </td><td> </td></tr> <tr><td> </td><td> </td></tr> <tr><td> </td><td> </td></tr> <tr><td> </td><td> </td></tr> </tbody> </table>	DIM -A-	PART No	12"	LC061																		
DIM -A-	PART No																						
12"	LC061																						
	<table border="1"> <thead> <tr> <th>DIM -B-</th> <th>PART No</th> </tr> </thead> <tbody> <tr> <td>12"</td> <td>LC071</td> </tr> <tr><td> </td><td> </td></tr> <tr><td> </td><td> </td></tr> <tr><td> </td><td> </td></tr> <tr><td> </td><td> </td></tr> <tr><td> </td><td> </td></tr> <tr><td> </td><td> </td></tr> <tr><td> </td><td> </td></tr> <tr><td> </td><td> </td></tr> <tr><td> </td><td> </td></tr> </tbody> </table>	DIM -B-	PART No	12"	LC071																		
DIM -B-	PART No																						
12"	LC071																						
	<table border="1"> <thead> <tr> <th>DIM -C-</th> <th>PART No</th> </tr> </thead> <tbody> <tr> <td>11 3/4"</td> <td>LC241</td> </tr> <tr><td> </td><td> </td></tr> <tr><td> </td><td> </td></tr> <tr><td> </td><td> </td></tr> <tr><td> </td><td> </td></tr> <tr><td> </td><td> </td></tr> <tr><td> </td><td> </td></tr> <tr><td> </td><td> </td></tr> <tr><td> </td><td> </td></tr> <tr><td> </td><td> </td></tr> </tbody> </table>	DIM -C-	PART No	11 3/4"	LC241																		
DIM -C-	PART No																						
11 3/4"	LC241																						
	<table border="1"> <thead> <tr> <th>DIM -D-</th> <th>PART No</th> </tr> </thead> <tbody> <tr> <td>12 1/2"</td> <td>LC250</td> </tr> <tr><td> </td><td> </td></tr> <tr><td> </td><td> </td></tr> <tr><td> </td><td> </td></tr> <tr><td> </td><td> </td></tr> <tr><td> </td><td> </td></tr> <tr><td> </td><td> </td></tr> <tr><td> </td><td> </td></tr> <tr><td> </td><td> </td></tr> <tr><td> </td><td> </td></tr> </tbody> </table>	DIM -D-	PART No	12 1/2"	LC250																		
DIM -D-	PART No																						
12 1/2"	LC250																						

(1) SHIPPED IN STRAIGHT LENGTHS OF 8'-0" MAX. (WITH TAPE JOINTS BOTH ENDS; GRG ONLY).

(2) END FLANGES ARE FOR PRODUCT SUPPORT AND MAY NOT BE EXACTLY AS SHOWN.

(3) SEE PAGE 4-A FOR TYPICAL INSTALLATION AND ATTACHMENTS.

(4) LIGHT FIXTURES, BRACKETS ETC. ARE BY INSTALLER. ONLY TYPICAL INSTALLATION SHOWN.

(5) SEE GENERAL INFORMATION PAGE I.

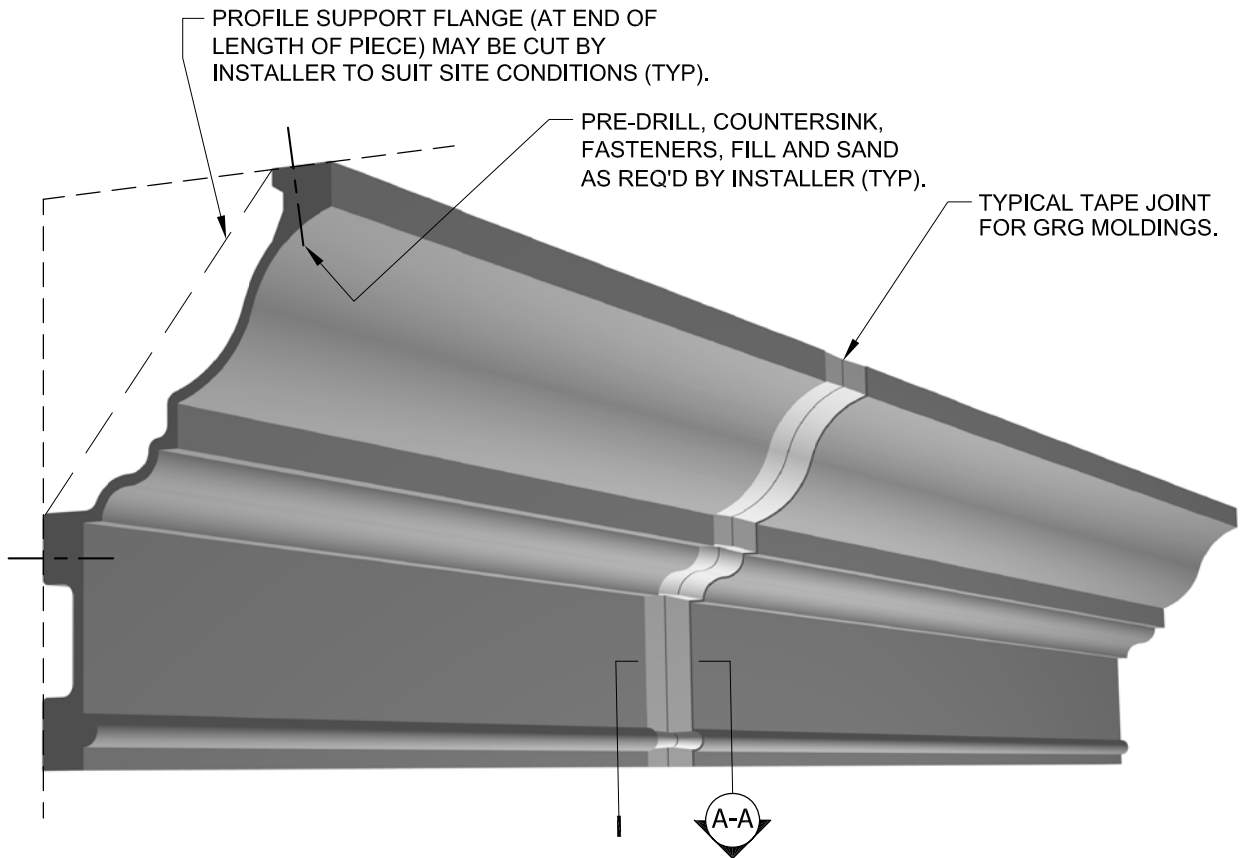
N.T.S.

Phone: (416)745-4970
 Fax: (416)745-6636

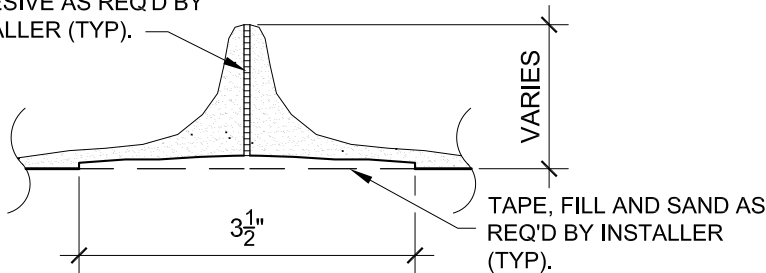
www.decoform.com
 1 (877) DECOFORM

Decoform

Light Coves



CONSTRUCTION ADHESIVE AS REQ'D BY INSTALLER (TYP).



SECTION A-A

NOTES:

- (1) MOLDINGS CAN BE SUPPLIED IN GRG, GRC, FRP AND FRP SANDSCAPE.
- (2) GRG IS FOR INTERIOR USE ONLY.
- (3) FASTENING METHODS SHOWN ARE TYPICAL ONLY, LOCAL CODE REQUIREMENTS AND JOB CONDITIONS MUST BE VERIFIED.
- (4) INSTALLATION HARDWARE INCLUDING BRACES, STUDS, FASTENERS, SHIMS, TAPE & JOINT COMPOUND TO BE SUPPLIED BY OTHERS.
- (5) FULL MATERIAL SPECIFICATION IS AVAILABLE ON REQUEST.
- (6) PREMOLDED CORNERS ARE AVAILABLE.

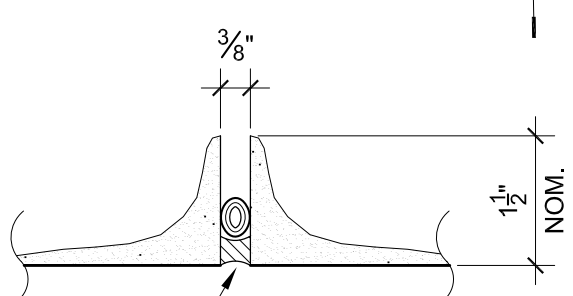
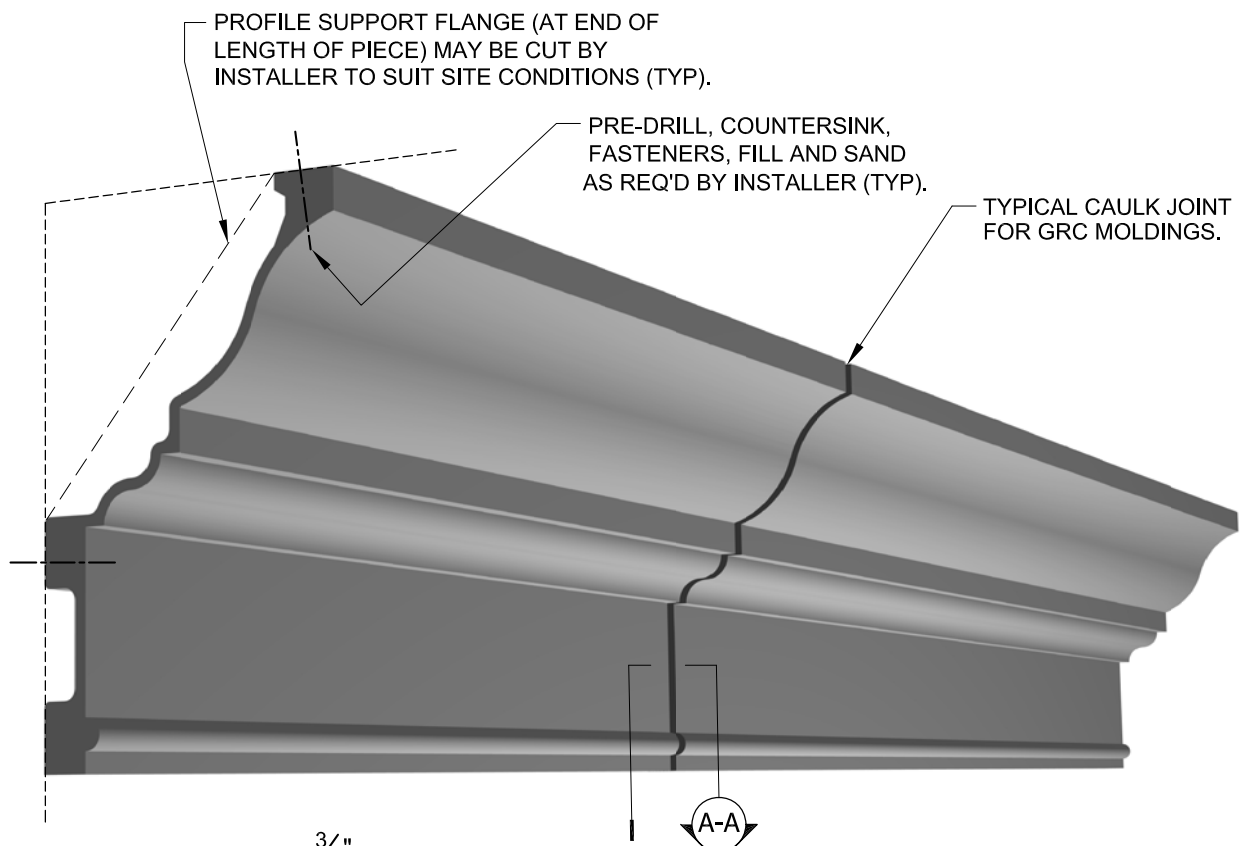
N.T.S.

Phone: (416)745-4970
 Fax: (416)745-6636

www.decoform.com
 1 (877) DECOFORM

Decoform

Typical Installation
 For GRG Moldings



LOW MODULUS CAULKING
W/ BACKER ROD AS REQ'D
BY INSTALLER (TYP).

SECTION A-A

NOTES:

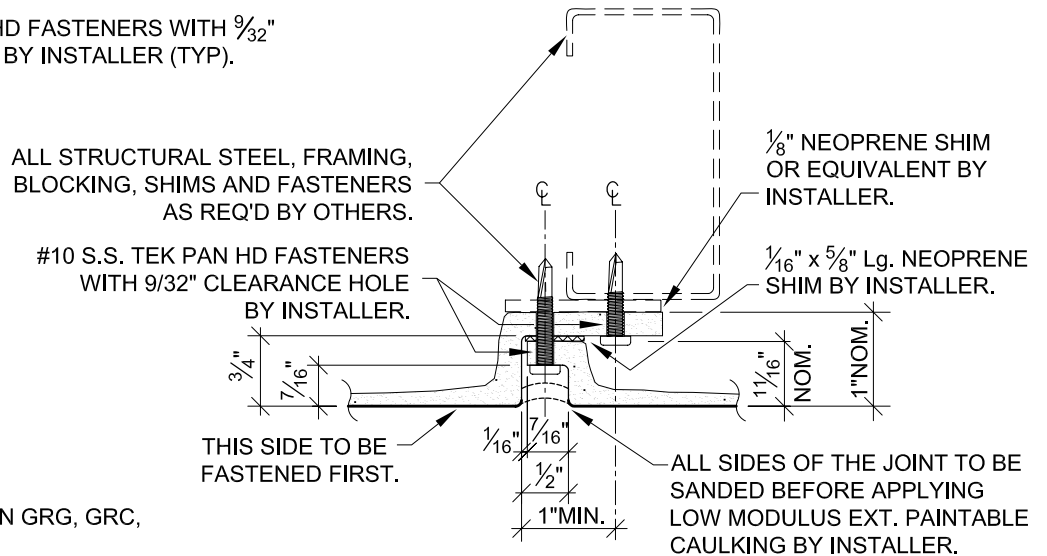
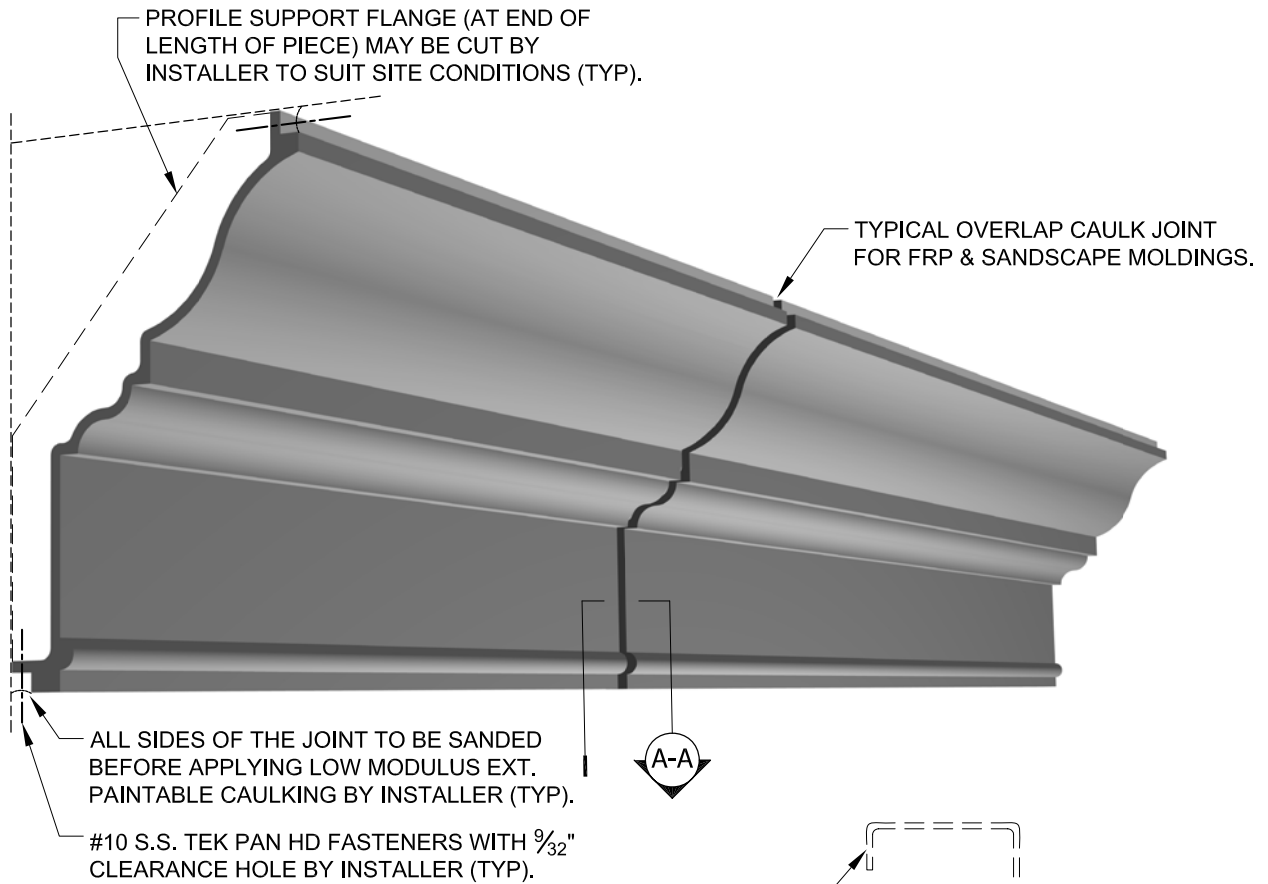
- (1) MOLDINGS CAN BE SUPPLIED IN GRG, GRC, FRP AND FRP SANDSCAPE.
- (2) GRG IS FOR INTERIOR USE ONLY.
- (3) FASTENING METHODS SHOWN ARE TYPICAL ONLY, LOCAL CODE REQUIREMENTS AND JOB CONDITIONS MUST BE VERIFIED.
- (4) INSTALLATION HARDWARE INCLUDING BRACES, STUDS, FASTENERS, SHIMS, TAPE & JOINT COMPOUND TO BE SUPPLIED BY OTHERS.
- (5) FULL MATERIAL SPECIFICATION IS AVAILABLE ON REQUEST.
- (6) PREMOLDED CORNERS ARE AVAILABLE.

N.T.S.

Phone: (416)745-4970
 Fax: (416)745-6636
 www.decoform.com
 1 (877) DECOFORM



Typical Installation
For GRC Moldings



SECTION A-A

NOTES:

- (1) MOLDINGS CAN BE SUPPLIED IN GRG, GRC, FRP AND FRP SANDSCAPE.
- (2) GRG IS FOR INTERIOR USE ONLY.
- (3) FASTENING METHODS SHOWN ARE TYPICAL ONLY, LOCAL CODE REQUIREMENTS AND JOB CONDITIONS MUST BE VERIFIED.
- (4) INSTALLATION HARDWARE INCLUDING BRACES, STUDS, FASTENERS, SHIMS, TAPE & JOINT COMPOUND TO BE SUPPLIED BY OTHERS.
- (5) FULL MATERIAL SPECIFICATION IS AVAILABLE ON REQUEST.
- (6) PREMOLDED CORNERS ARE AVAILABLE.

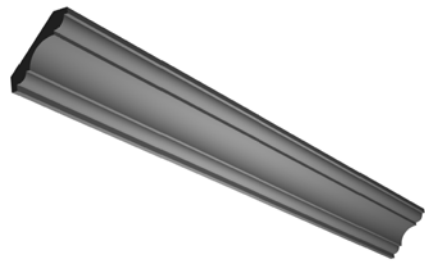
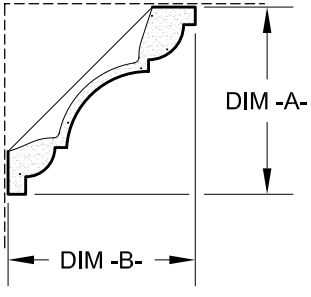
N.T.S.

Phone: (416)745-4970
 Fax: (416)745-6636

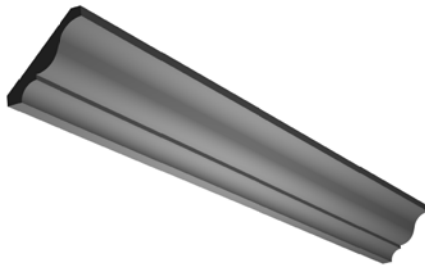
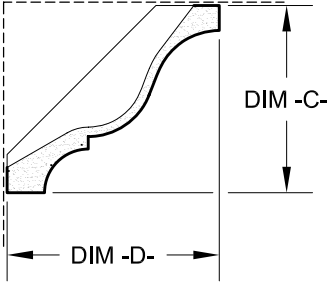
www.decoform.com
 1 (877) DECOFORM



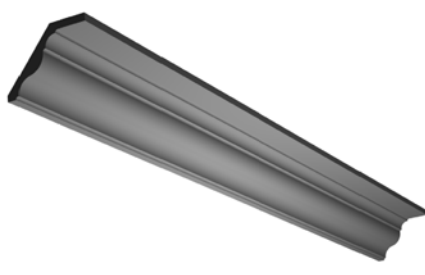
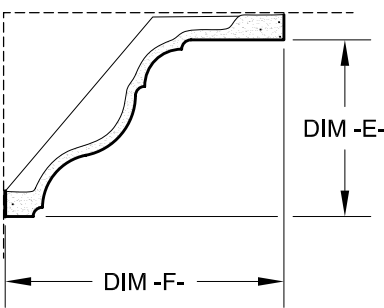
Typical Installation
 For FRP and SANDSCAPE Moldings



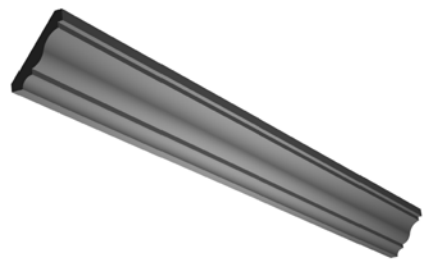
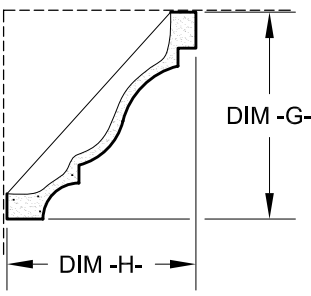
DIM -A-	DIM -B-	PART No
6"	6"	ML010
8"	8"	ML011



DIM -C-	DIM -D-	PART No
7"	8"	ML022



DIM -E-	DIM -F-	PART No
4 3/4"	7 1/2"	ML031



DIM -G-	DIM -H-	PART No
11 1/2"	10 1/2"	ML041

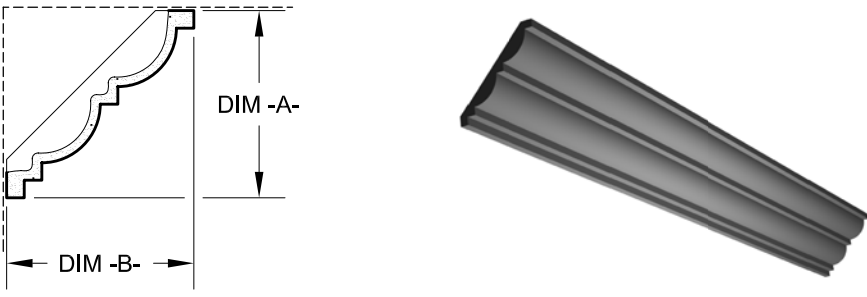
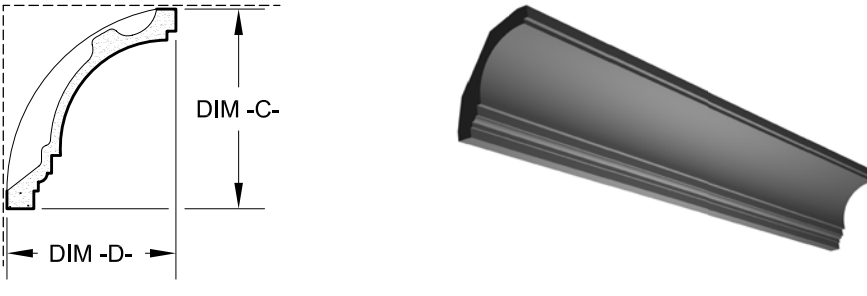
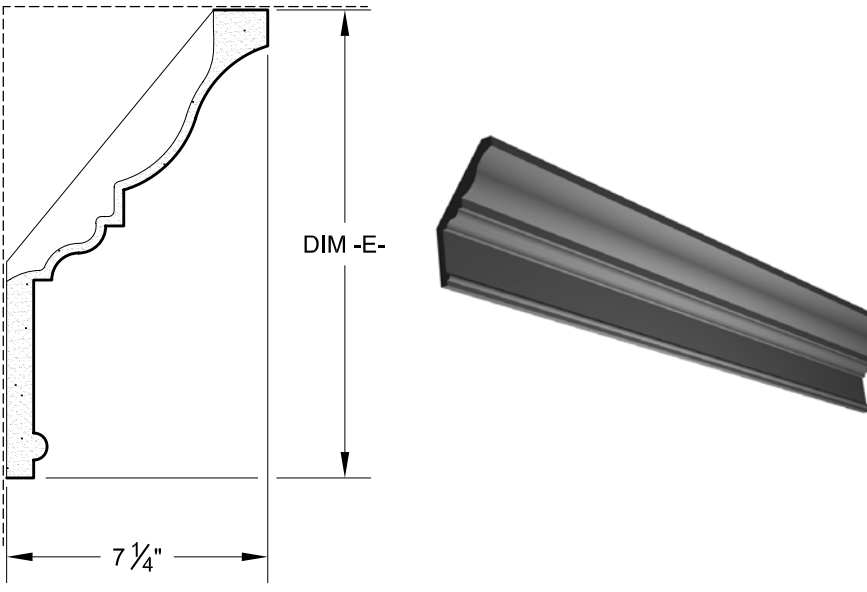
(1) SHIPPED IN STRAIGHT LENGTHS OF 8'-0" MAX. (WITH TAPE JOINTS BOTH ENDS; GRG ONLY).
 (2) END FLANGES ARE FOR PRODUCT SUPPORT AND MAY NOT BE EXACTLY AS SHOWN.
 N.T.S.

(3) SEE PAGES 5-A TO 5-A.2 FOR TYPICAL INSTALLATION AND ATTACHMENTS.
 (4) DETAIL DIMENSIONAL DRAWINGS ARE AVAILABLE ON REQUEST.
 (5) SEE GENERAL INFORMATION PAGE i.

Phone: (416)745-4970
 Fax: (416)745-6636
 www.decoform.com
 1 (877) DECOFORM



Moldings

	<table border="1"> <thead> <tr> <th>DIM -A-</th> <th>DIM -B-</th> <th>PART No</th> </tr> </thead> <tbody> <tr> <td>8"</td> <td>8"</td> <td>ML050</td> </tr> <tr><td> </td><td> </td><td> </td></tr> <tr><td> </td><td> </td><td> </td></tr> <tr><td> </td><td> </td><td> </td></tr> <tr><td> </td><td> </td><td> </td></tr> <tr><td> </td><td> </td><td> </td></tr> <tr><td> </td><td> </td><td> </td></tr> <tr><td> </td><td> </td><td> </td></tr> <tr><td> </td><td> </td><td> </td></tr> <tr><td> </td><td> </td><td> </td></tr> </tbody> </table>	DIM -A-	DIM -B-	PART No	8"	8"	ML050																												<table border="1"> <thead> <tr> <th>DIM -C-</th> <th>DIM -D-</th> <th>PART No</th> </tr> </thead> <tbody> <tr> <td>11 1/4"</td> <td>9 1/4"</td> <td>ML110</td> </tr> <tr><td> </td><td> </td><td> </td></tr> <tr><td> </td><td> </td><td> </td></tr> <tr><td> </td><td> </td><td> </td></tr> <tr><td> </td><td> </td><td> </td></tr> <tr><td> </td><td> </td><td> </td></tr> <tr><td> </td><td> </td><td> </td></tr> <tr><td> </td><td> </td><td> </td></tr> <tr><td> </td><td> </td><td> </td></tr> <tr><td> </td><td> </td><td> </td></tr> </tbody> </table>	DIM -C-	DIM -D-	PART No	11 1/4"	9 1/4"	ML110																											
DIM -A-	DIM -B-	PART No																																																																		
8"	8"	ML050																																																																		
DIM -C-	DIM -D-	PART No																																																																		
11 1/4"	9 1/4"	ML110																																																																		
	<table border="1"> <thead> <tr> <th>DIM -E-</th> <th></th> <th>PART No</th> </tr> </thead> <tbody> <tr> <td>12"</td> <td></td> <td>ML090</td> </tr> <tr><td> </td><td> </td><td> </td></tr> <tr><td> </td><td> </td><td> </td></tr> <tr><td> </td><td> </td><td> </td></tr> <tr><td> </td><td> </td><td> </td></tr> <tr><td> </td><td> </td><td> </td></tr> <tr><td> </td><td> </td><td> </td></tr> <tr><td> </td><td> </td><td> </td></tr> <tr><td> </td><td> </td><td> </td></tr> <tr><td> </td><td> </td><td> </td></tr> </tbody> </table>	DIM -E-		PART No	12"		ML090																												<table border="1"> <thead> <tr> <th>DIM -E-</th> <th></th> <th>PART No</th> </tr> </thead> <tbody> <tr> <td>12"</td> <td></td> <td>ML090</td> </tr> <tr><td> </td><td> </td><td> </td></tr> <tr><td> </td><td> </td><td> </td></tr> <tr><td> </td><td> </td><td> </td></tr> <tr><td> </td><td> </td><td> </td></tr> <tr><td> </td><td> </td><td> </td></tr> <tr><td> </td><td> </td><td> </td></tr> <tr><td> </td><td> </td><td> </td></tr> <tr><td> </td><td> </td><td> </td></tr> <tr><td> </td><td> </td><td> </td></tr> </tbody> </table>	DIM -E-		PART No	12"		ML090																											
DIM -E-		PART No																																																																		
12"		ML090																																																																		
DIM -E-		PART No																																																																		
12"		ML090																																																																		
	<table border="1"> <thead> <tr> <th>DIM -E-</th> <th></th> <th>PART No</th> </tr> </thead> <tbody> <tr> <td>12"</td> <td></td> <td>ML090</td> </tr> <tr><td> </td><td> </td><td> </td></tr> <tr><td> </td><td> </td><td> </td></tr> <tr><td> </td><td> </td><td> </td></tr> <tr><td> </td><td> </td><td> </td></tr> <tr><td> </td><td> </td><td> </td></tr> <tr><td> </td><td> </td><td> </td></tr> <tr><td> </td><td> </td><td> </td></tr> <tr><td> </td><td> </td><td> </td></tr> <tr><td> </td><td> </td><td> </td></tr> </tbody> </table>	DIM -E-		PART No	12"		ML090																												<table border="1"> <thead> <tr> <th>DIM -E-</th> <th></th> <th>PART No</th> </tr> </thead> <tbody> <tr> <td>12"</td> <td></td> <td>ML090</td> </tr> <tr><td> </td><td> </td><td> </td></tr> <tr><td> </td><td> </td><td> </td></tr> <tr><td> </td><td> </td><td> </td></tr> <tr><td> </td><td> </td><td> </td></tr> <tr><td> </td><td> </td><td> </td></tr> <tr><td> </td><td> </td><td> </td></tr> <tr><td> </td><td> </td><td> </td></tr> <tr><td> </td><td> </td><td> </td></tr> <tr><td> </td><td> </td><td> </td></tr> </tbody> </table>	DIM -E-		PART No	12"		ML090																											
DIM -E-		PART No																																																																		
12"		ML090																																																																		
DIM -E-		PART No																																																																		
12"		ML090																																																																		

- (1) SHIPPED IN STRAIGHT LENGTHS OF 8'-0" MAX. (WITH TAPE JOINTS BOTH ENDS; GRG ONLY).
- (2) END FLANGES ARE FOR PRODUCT SUPPORT AND MAY NOT BE EXACTLY AS SHOWN.

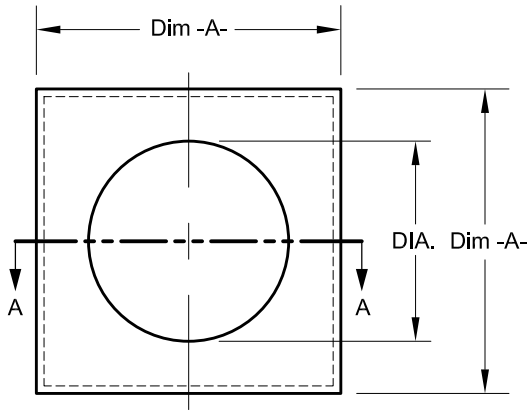
- (3) SEE PAGES 5-A TO 5-A.2 FOR TYPICAL INSTALLATION AND ATTACHMENTS.
- (4) DETAIL DIMENSIONAL DRAWINGS ARE AVAILABLE ON REQUEST.
- (5) SEE GENERAL INFORMATION PAGE i.

N.T.S.

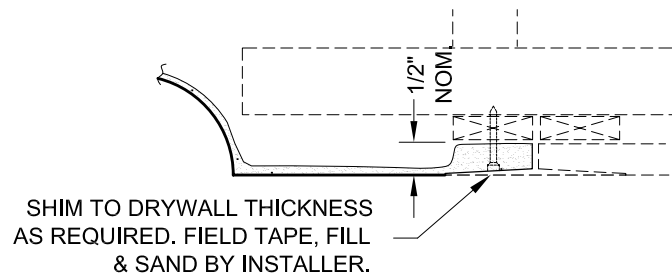
Phone: (416)745-4970
 Fax: (416)745-6636
 www.decoform.com
 1 (877) DECOFORM



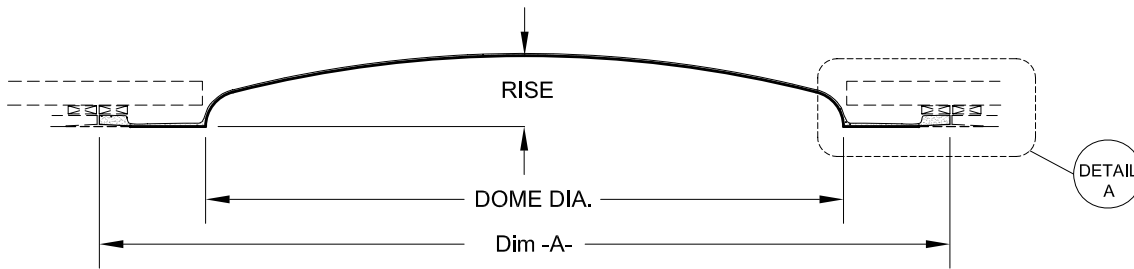
Moldings



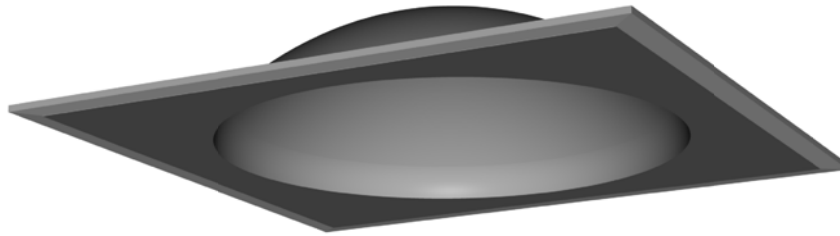
DOME REFLECTED PLAN



DETAIL A



SECTION A-A THROUGH PLAIN DOME



DOME SHADED PERSPECTIVE VIEW

(1) SUPPORTING METHOD WILL VARY WITH DIAMETER AND NUMBER OF PIECES. CONSULT WITH DECOFORM IF MORE DETAIL IS REQUIRED.

(2) DOMES ARE SHIPPED IN VARYING NUMBER OF PIECES DEPENDING UPON DIAMETER.

(3) SEE GENERAL INFORMATION PAGE i.

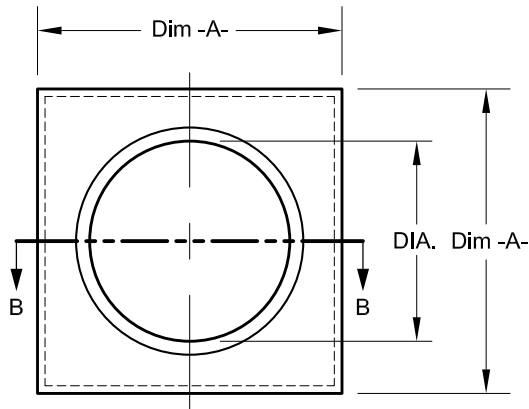
N.T.S.

Phone: (416)745-4970
Fax: (416)745-6636

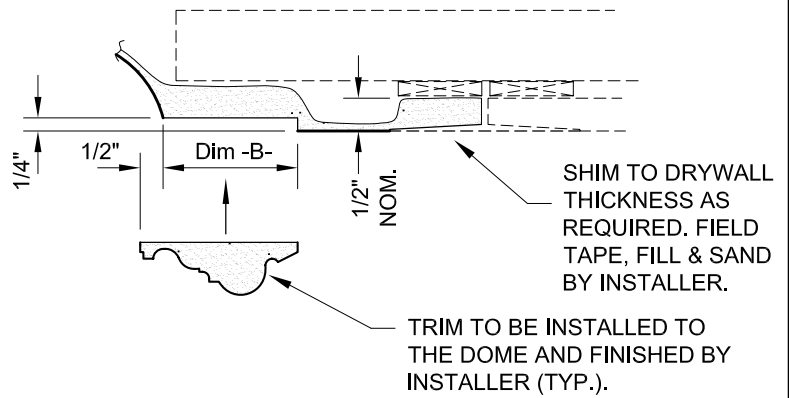
www.decoform.com
1 (877) DECOFORM



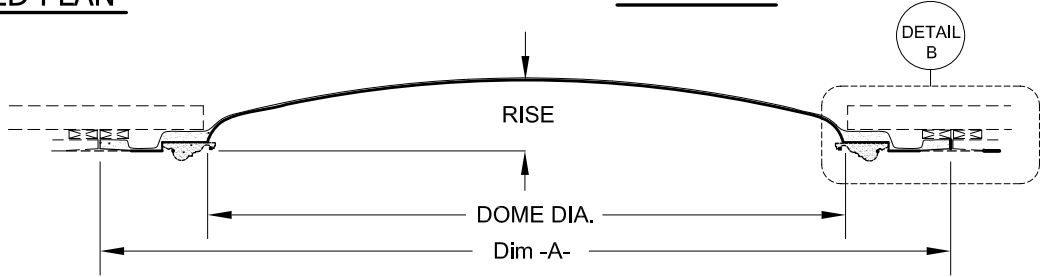
Domes



DOME REFLECTED PLAN

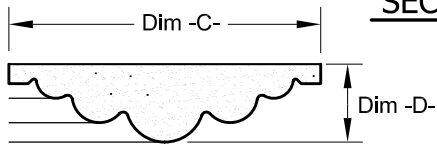


DETAIL B

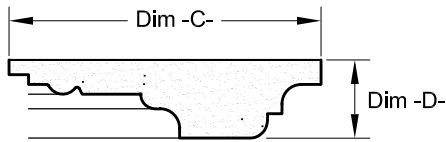


SECTION B-B THROUGH DOME WITH DECORATIVE TRIM

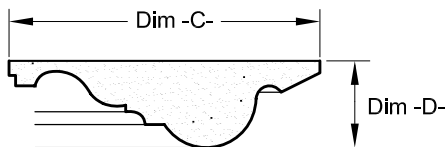
SEE BELOW FOR TRIM OPTIONS



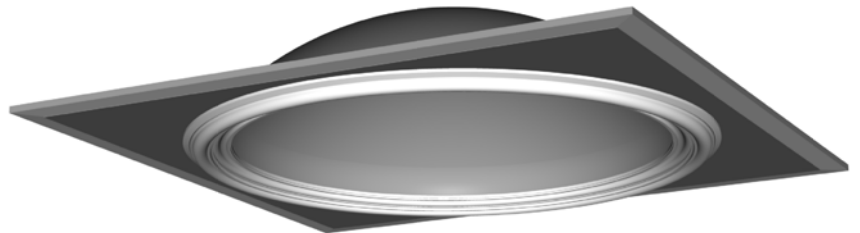
TRIM, TYPE "L"



TRIM, TYPE "M"



TRIM, TYPE "N"



DOME SHADED PERSPECTIVE VIEW

(1) SUPPORTING METHOD WILL VARY WITH DIAMETER AND NUMBER OF PIECES. CONSULT WITH DECOFORM IF MORE DETAIL IS REQUIRED.

(2) DOMES ARE SHIPPED IN VARYING NUMBER OF PIECES DEPENDING UPON DIAMETER.

(3) SEE GENERAL INFORMATION PAGE I.

(4) TRIM KITS ARE SUPPLIED WITH ANY REQUIRED SIZE.

N.T.S.

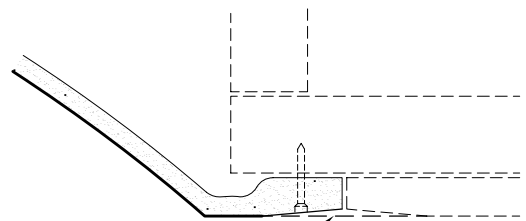
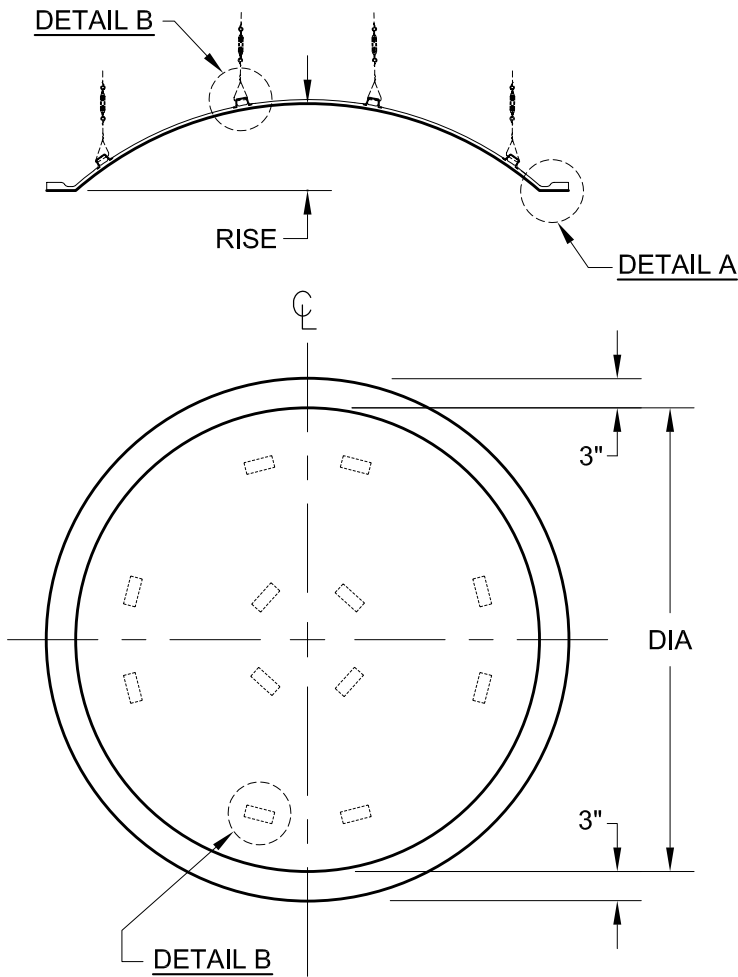
Phone: (416)745-4970
Fax: (416)745-6636

www.decoform.com
1 (877) DECOFORM



**Domes
and Trim Options**

DIA	RISE	No OF PIECES	PART No
3'-0"	7"	1	DM8454
4'-0"	9"	1	DM1004
5'-0"	12"	1	DM3222
5'-0"	18"	1	DM7227
6'-0"	15"	4	DM1006
6'-11 3/4"	14 3/8"	4	DM5164
8'-0"	16"	4	DM7111
9'-0"	21"	4	DM1009
10'-0"	18"	6	DM6262
11'-6"	9 3/16"	6	DM7272
11'-10"	34"	6	DM6350
14'-0"	84"	8	DM7100

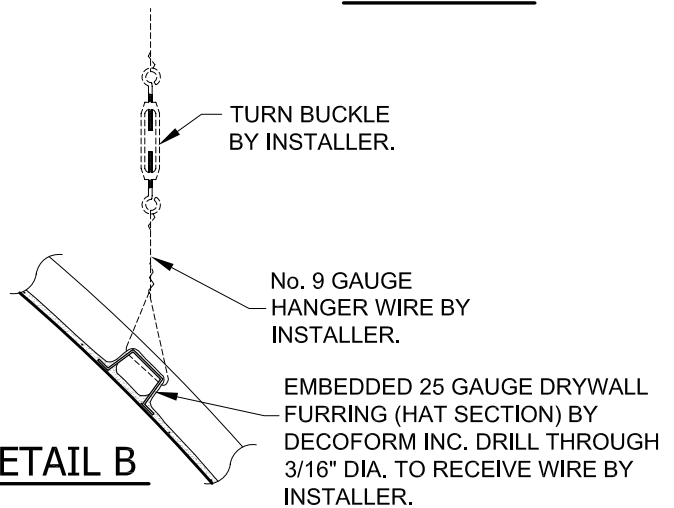


TAPE JOINT (GRG ONLY)
CONSULT WITH DECOFORM
FOR DETAILS WHEN USING
OTHER MATERIALS.

DETAIL A



DOME SHADED PERSPECTIVE VIEW



DETAIL B

(1) SUPPORTING METHOD WILL VARY WITH DIAMETER AND NUMBER OF PIECES. CONSULT WITH DECOFORM IF MORE DETAIL IS REQUIRED.

(3) STANDARD DOMES ARE SHIPPED IN VARYING NUMBER OF PIECES DEPENDING UPON DIAMETER (SEE CHART ABOVE).

(2) NUMBER OF HANGERS (DETAIL B) WILL VARY WITH SIZE OF DOME
N.T.S.

(4) SEE GENERAL INFORMATION PAGE i.

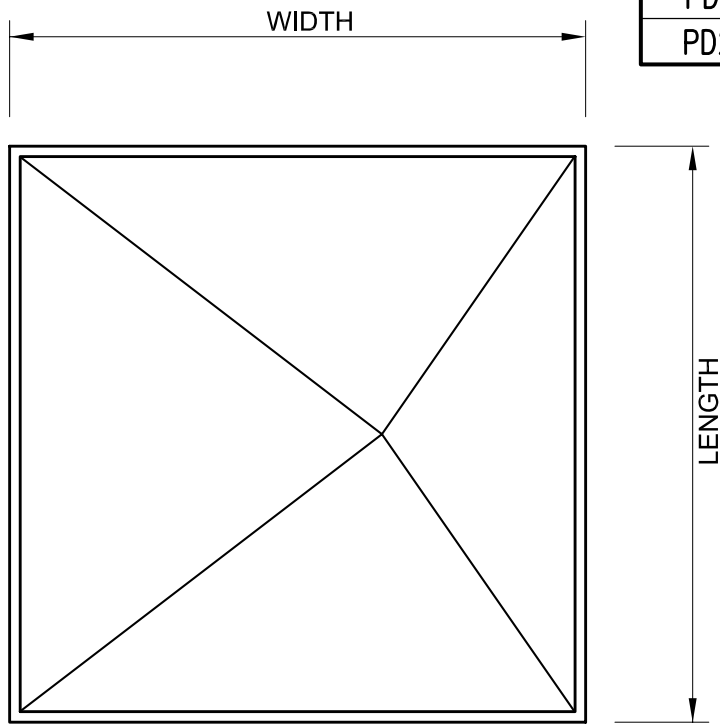
Phone: (416)745-4970
Fax: (416)745-6636

www.decoform.com
1 (877) DECOFORM

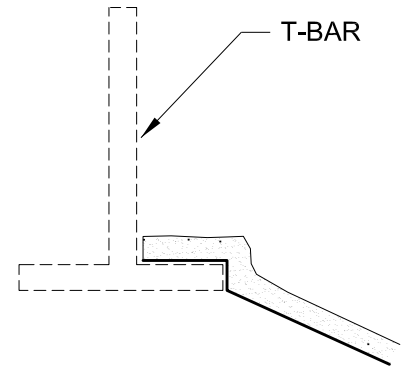
Decoform

Domes

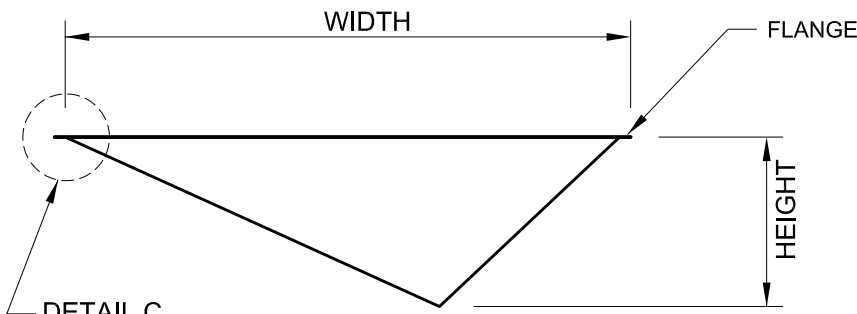
PART NO.	LENGTH	WIDTH	HEIGHT
PD4848 G	47 ½"	47 ½"	11 ¼"
PD2424 G	23 ½"	23 ½"	8"
PD4848 F	47 ½"	47 ½"	11 ¼"
PD2424 F	23 ½"	23 ½"	8"



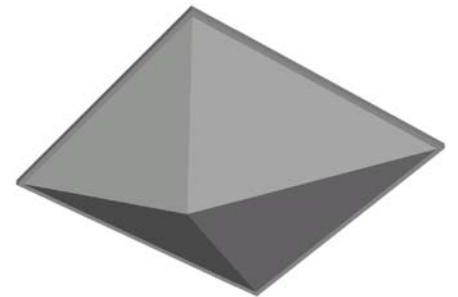
DETAIL A



DETAIL C



DETAIL B



PYRAMID DIFFUSER
SHADED PERSPECTIVE VIEW

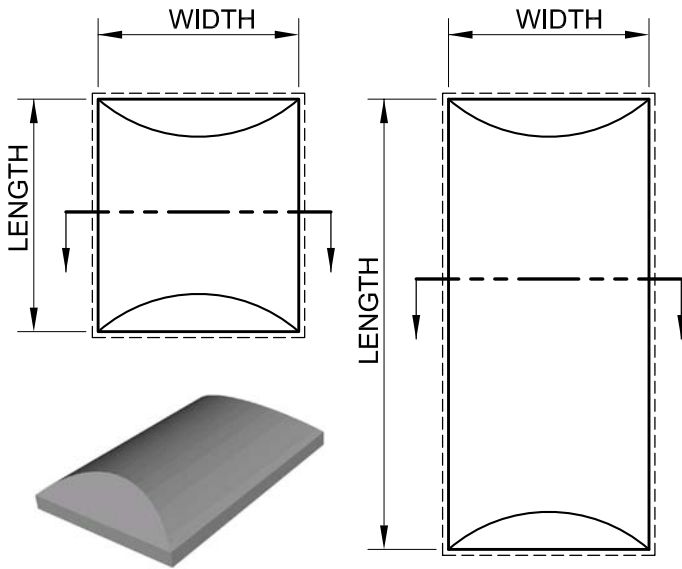
(1) AVAILABLE IN FIBERGLASS AND GRG ONLY
(2) ADD SUFFIX FOR MATERIAL: F-FOR FRP, G-FOR GRG

N.T.S.

Phone: (416)745-4970
Fax: (416)745-6636
www.decoform.com
1 (877) DECOFORM

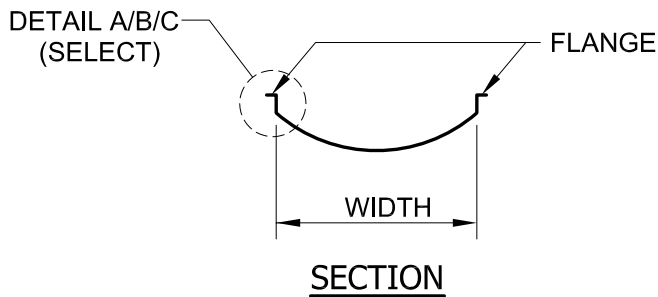


Pyramid Diffusers



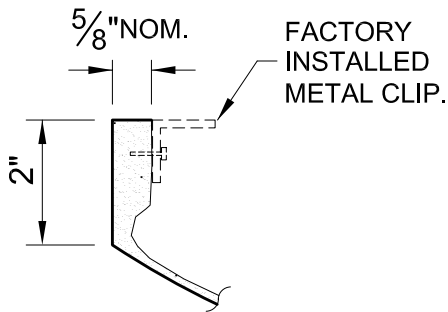
DOMES DIFFUSER

SHADED PERSPECTIVE VIEW



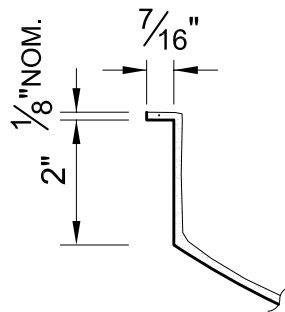
SECTION

PART NO.	W	L	PART NO.	W	L
DD1848 A	17"	47"	DD3672 A	35¼"	71"
DD1848 B	17"	47"	DD3672 B	35¼"	71"
DD1848 C	17"	47"	DD3672 C	35¼"	71"
DD2448 A	23"	47"	DD4848 A	47"	47"
*DD2448 B	23"	47"	*DD4848 B	47"	47"
DD2448 C	23"	47"	DD4848 C	47"	47"
DD2472 A	23½"	71"	DD4872 A	47"	71"
DD2472 B	23½"	71"	DD4872 B	47"	71"
DD2472 C	23½"	71"	DD4872 C	47"	71"
DD2496 A	23½"	95"	DD4896 A	47"	95"
DD2496 B	23½"	95"	DD4896 B	47"	95"
DD2496 C	23½"	95"	DD4896 C	47"	95"
DD3096 A	29½"	95"	DD6036 A	59"	35"
DD3096 B	29½"	95"	DD6036 B	59"	35"
DD3096 C	29½"	95"	DD6036 C	59"	35"
DD3696 A	34"	95"	DD7236 A	71"	35"
DD3696 B	34"	95"	DD7236 B	71"	35"
DD3696 C	34"	95"	DD7236 C	71"	35"
DD3660 A	35"	59"	DD7248 A	71"	47"
DD3660 B	35"	59"	DD7248 B	71"	47"
DD3660 C	35"	59"	DD7248 C	71"	47"



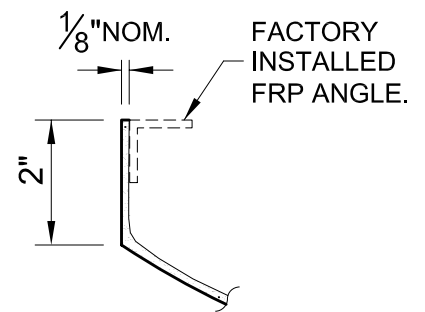
GRG FLANGE

DETAIL A
(SELECT)



FRP FLANGE

DETAIL B
(SELECT)



FRP FLANGE

DETAIL C
(SELECT)

(1) * FITS STANDARD 1" T-BAR GRID

N.T.S.

Phone: (416)745-4970
Fax: (416)745-6636

www.decoform.com
1 (877) DECOFORM



Dome Diffusers

A Guide to Material Selection

DecoForm manufactures quality, molded, interior and exterior architectural components. Any project involving repetitive, linear or modular shapes are prime candidates. DecoForm products are used primarily for:

Bulkheads	Coves	Capitals and Bases
Light Coves	Ceiling Coffers	Pediments
Column Covers	Pilasters	Cornices
Wall Panels	Chair Rails	Brackets
Domes	Vaults	

Dramatic savings in site labor can often be realized and superstructure requirements reduced as the result of the use of pre-molded shapes.

DecoForm offers products in four different materials:

GRG (Glassfiber Reinforced Gypsum) (Spec. Section 09540)

GRC (Glassfiber Reinforced Cement) (Spec. Section 03500)

FRP (Fiberglass Reinforced Polyester) (Spec. Section 06600)

SandScape™ (FRP faux sandstone/limestone) (Spec. Section 06600)

Selection Criteria

- (1) Is the product to be used outside or inside?
 - GRG products are for interior use only.
 - GRC, FRP and SandScape™ products are for interior or exterior.

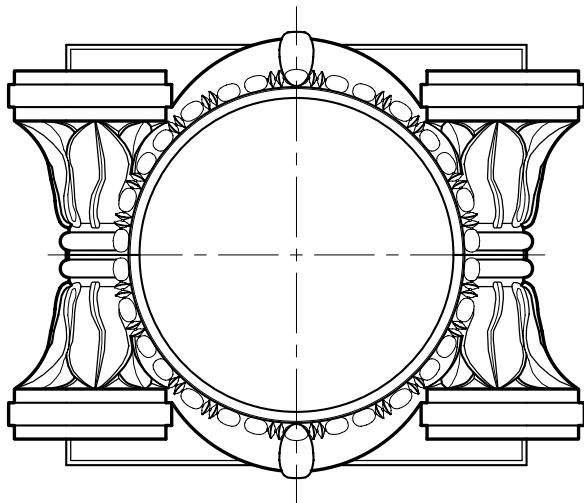
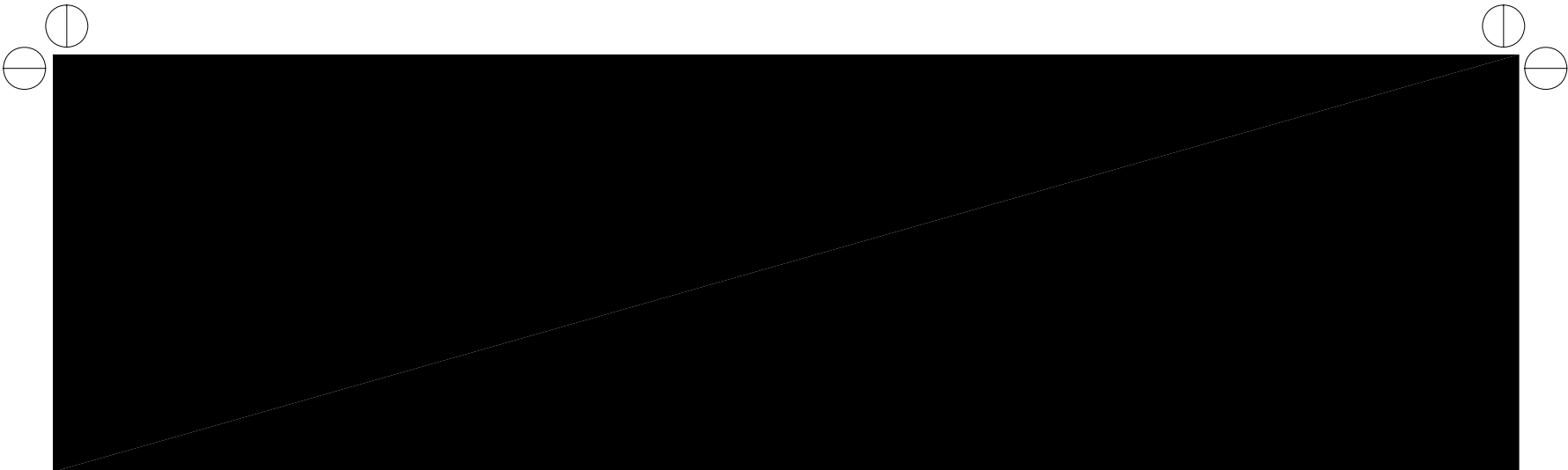
- (2) Is the desired product to be site painted or is it to be pre-finished?
 - GRG requires site finishing (usually prime and paint).
 - GRC requires site finishing. Breathable primer & paint is required.
 - FRP can be supplied pre-finished or paint ready (depending on budget and design criteria). A factory gloss finish is available on request and at a premium.
 - SandScape™ is pre-finished.

- (3) Budget Considerations
 - GRG is the least expensive followed by GRC, FRP and SandScape™ respectively, assuming the same scope and shape.

- (4) Fire Code Consideration

All DecoForm products/materials listed herein are available to suit a Class 1 designation.

DecoForm offers complete specification and design assistance.



Presenterd By:

DecoForm Inc.
Decoform
Molded Architectural Products

49 Sheffield Street
Toronto, ON, Canada M6M 3E5
E-mail: sales@decoform.com
www.decoform.com

Phone: (416) 745 - 4970
Toll Free: 1 (877) DECOFORM (332-6367)
Fax: (416) 745 - 6636

CAT #DF101